



## Through sockets 1/2" in mm

**SHS-12**

SHS-...

### SAM Outillage

10 rue Camille de Rochetaillée  
42000 Saint-Etienne - France

RCS Saint-Etienne B 338 002 231 | SAS au capital de 8 189 583 €

<https://www.sam-outillage.com/>

Photos and texts not contractually binding. Do not litter. Document generated on 2024-05-01 18:33:31





## DESCRIPTION

### Through sockets 1/2" in mm

Forged chrome-vanadium steel.

Socket clipped in place.

Bright polished chrome-plate finish.

Used to access nuts on threaded rods.

Used with through ratchets S-155B or S-156B.

Sockets 10 to 19 mm: ratchet S-155B and extension S-201.

Sockets 21 to 32 mm: ratchet S-156B and extension S-202.

SAM Surface Drive profile to preserve the nuts.

## STANDARDS / DIRECTIVES

NF ISO 1174-1

### SAM Outillage

10 rue Camille de Rochetaillée  
42000 Saint-Etienne - France

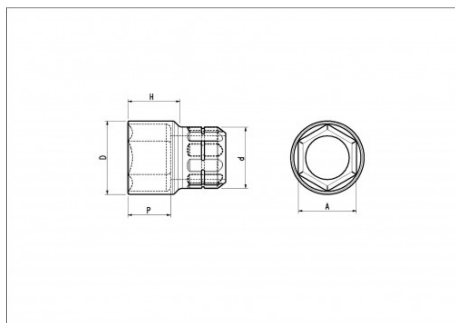
RCS Saint-Etienne B 338 002 231 | SAS au capital de 8 189 583 €

<https://www.sam-outillage.com/>

Photos and texts not contractually binding. Do not litter. Document generated on 2024-05-01 18:33:31



**SPECIFIC DATA**



Designation	TROUGHGOING SOCKET 1/2" 6P SD12MM
Sales reference	SHS-12
Weight (g)	29
H (mm)	18.92
d (mm)	19.3
D (mm)	16.62
P (mm)	7.40
A (mm)	12
Guarantee	O

**Guarantee applied**

**O | SAM TOOL guarantee.**

Guarantee without time limit on the tools used under normal conditions.

[>> Find out more](#)

**SAM Outillage**

10 rue Camille de Rochetaillée  
42000 Saint-Etienne - France

RCS Saint-Etienne B 338 002 231 | SAS au capital de 8 189 583 €

<https://www.sam-outillage.com/>

