



Through sockets 1/2" in mm

SHS-...

SAM Outillage

10 rue Camille de Rochetaillée
42000 Saint-Etienne - France

RCS Saint-Etienne B 338 002 231 | SAS au capital de 8 189 583 €

<https://www.sam-outillage.com/>

Photos and texts not contractually binding. Do not litter. Document generated on 2024-05-01 10:52:56





DESCRIPTION

Through sockets 1/2" in mm

Forged chrome-vanadium steel.

Socket clipped in place.

Bright polished chrome-plate finish.

Used to access nuts on threaded rods.

Used with through ratchets S-155B or S-156B.

Sockets 10 to 19 mm: ratchet S-155B and extension S-201.

Sockets 21 to 32 mm: ratchet S-156B and extension S-202.

SAM Surface Drive profile to preserve the nuts.

STANDARDS / DIRECTIVES

NF ISO 1174-1

SAM Outillage

10 rue Camille de Rochetaillée
42000 Saint-Etienne - France

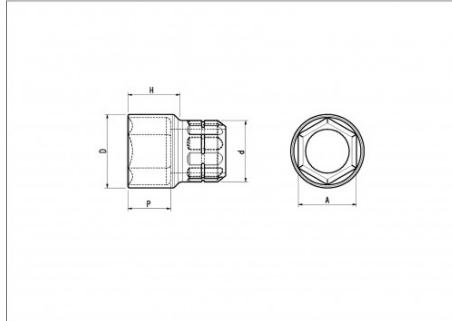
RCS Saint-Etienne B 338 002 231 | SAS au capital de 8 189 583 €

<https://www.sam-outillage.com/>

Photos and texts not contractually binding. Do not litter. Document generated on 2024-05-01 10:52:56



SPECIFIC DATA



Sales reference	Weight (g)	H (mm)	d (mm)	D (mm)	P (mm)	A (mm)	Guarantee
SHS-10	30	18.92	19.3	14.65	6.43	10	O
SHS-11	28	18.92	19.3	15.56	7.83	11	O
SHS-12	29	18.92	19.3	16.62	7.40	12	O
SHS-13	31	18.92	19.3	17.38	8.71	13	O
SHS-14	30	18.92	19.3	18.69	9.17	14	O
SHS-15	26	18.92	19.3	19.92	11.52	15	O
SHS-16	29	18.92	19.3	21.15	11.76	16	O
SHS-17	35	18.92	19.3	22.74	11.83	17	O
SHS-18	36	18.92	19.3	23.55	11.28	18	O
SHS-19	39	18.92	19.3	24.69	11.88	19	O
SHS-21	8	23.72	29	27.10	11.88	21	O
SHS-22	8	23.72	29	27.10	11.88	22	O
SHS-23	9	23.72	29	31.80	12.18	23	O

SAM Outillage

10 rue Camille de Rochetaillée
42000 Saint-Etienne - France

RCS Saint-Etienne B 338 002 231 | SAS au capital de 8 189 583 €

<https://www.sam-outillage.com/>



SHS-24 (not marketed)	9	23.72	29	31.80	12.18	24	O
SHS-25	62	23.72	29	33.84	12.18	25	O
SHS-26 (not marketed)	68	23.72	29	33.84	12.18	26	O
SHS-27 (not marketed)	72	23.72	29	35.86	12.63	27	O
SHS-28	84	23.72	29	37.86	12.63	28	O
SHS-29	89	23.72	29	37.86	13.14	29	O
SHS-30	91	23.72	29	39.83	13.14	30	O
SHS-32 (not marketed)	97	23.72	29	41.84	13.14	32	O

Guarantee applied

O | SAM TOOL guarantee.

Guarantee without time limit on the tools used under normal conditions.

[>> Find out more](#)

SAM Outillage

10 rue Camille de Rochetaillée
42000 Saint-Etienne - France

RCS Saint-Etienne B 338 002 231 | SAS au capital de 8 189 583 €

<https://www.sam-outillage.com/>

Photos and texts not contractually binding. Do not litter. Document generated on 2024-05-01 10:52:56

