



## Through sockets 1/4" in mm

**RHS-9**

RHS-...

### SAM Outillage

10 rue Camille de Rochetaillée  
42000 Saint-Etienne - France

RCS Saint-Etienne B 338 002 231 | SAS au capital de 8 189 583 €

<https://www.sam-outillage.com/>

Photos and texts not contractually binding. Do not litter. Document generated on 2024-04-24 09:05:52





## DESCRIPTION

### Through sockets 1/4" in mm

Forged chrome-vanadium steel.Socket held in place with a clip.Bright polished chrome-plate finish.Allows you to access nuts on threaded nuts.For use with ratchet R-152B and extension R-201.This wall for better access to nuts.Surface drive profile to preserve the nuts.

## STANDARDS / DIRECTIVES

NF ISO 691, NF ISO 1711-1

### SAM Outillage

10 rue Camille de Rochetaillée  
42000 Saint-Etienne - France

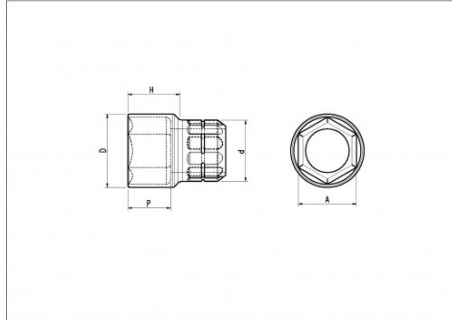
RCS Saint-Etienne B 338 002 231 | SAS au capital de 8 189 583 €

<https://www.sam-outillage.com/>

Photos and texts not contractually binding. Do not litter. Document generated on 2024-04-24 09:05:52



**SPECIFIC DATA**



Designation	TROUGHGOING SOCKET 1/4" 6 POINTS SD 9MM
Sales reference	RHS-9
Weight (g)	12
H (mm)	15.55
d (mm)	12.4
D (mm)	12.57
P (mm)	8.45
A (mm)	9
Guarantee	O

**Guarantee applied**

**O | SAM TOOL guarantee.**

Guarantee without time limit on the tools used under normal conditions.

[>> Find out more](#)

**SAM Outillage**

10 rue Camille de Rochetaillée  
42000 Saint-Etienne - France

RCS Saint-Etienne B 338 002 231 | SAS au capital de 8 189 583 €

<https://www.sam-outillage.com/>

Photos and texts not contractually binding. Do not litter. Document generated on 2024-04-24 09:05:52

