



## Through sockets 1/4" in mm

**RHS-4**

RHS-...

### SAM Outillage

10 rue Camille de Rochetaillée  
42000 Saint-Etienne - France

RCS Saint-Etienne B 338 002 231 | SAS au capital de 8 189 583 €

<https://www.sam-outillage.com/>

Photos and texts not contractually binding. Do not litter. Document generated on 2024-04-24 04:52:25



**DESCRIPTION****Through sockets 1/4" in mm**

Forged chrome-vanadium steel.Socket held in place with a clip.Bright polished chrome-plate finish.Allows you to access nuts on threaded nuts.For use with ratchet R-152B and extension R-201.This wall for better access to nuts.Surface drive profile to preserve the nuts.

**STANDARDS / DIRECTIVES**

NF ISO 691, NF ISO 1711-1

**SAM Outillage**

10 rue Camille de Rochetaillée  
42000 Saint-Etienne - France

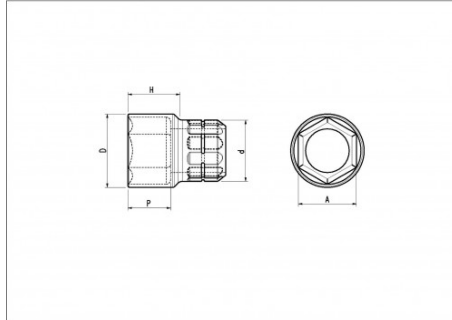
RCS Saint-Etienne B 338 002 231 | SAS au capital de 8 189 583 €

<https://www.sam-outillage.com/>

Photos and texts not contractually binding. Do not litter. Document generated on 2024-04-24 04:52:25



**SPECIFIC DATA**



Designation	TROUGHGOING SOCKET 1/4" 6 POINTS SD 4MM
Sales reference	RHS-4
Weight (g)	11
H (mm)	15.55
d (mm)	12.4
D (mm)	6.10
P (mm)	5.80
A (mm)	4
Guarantee	O

**Guarantee applied**

**O | SAM TOOL guarantee.**

Guarantee without time limit on the tools used under normal conditions.

[>> Find out more](#)

**SAM Outillage**

10 rue Camille de Rochetaillée  
42000 Saint-Etienne - France

RCS Saint-Etienne B 338 002 231 | SAS au capital de 8 189 583 €

<https://www.sam-outillage.com/>

