



## Through sockets 1/4" in mm

**RHS-...**

### SAM Outillage

10 rue Camille de Rochetaillée  
42000 Saint-Etienne - France

RCS Saint-Etienne B 338 002 231 | SAS au capital de 8 189 583 €

<https://www.sam-outillage.com/>

Photos and texts not contractually binding. Do not litter. Document generated on 2024-04-24 09:18:50





## DESCRIPTION

### Through sockets 1/4" in mm

Forged chrome-vanadium steel.Socket held in place with a clip.Bright polished chrome-plate finish.Allows you to access nuts on threaded nuts.For use with ratchet R-152B and extension R-201.This wall for better access to nuts.Surface drive profile to preserve the nuts.

## STANDARDS / DIRECTIVES

NF ISO 691, NF ISO 1711-1

### SAM Outillage

10 rue Camille de Rochetaillée  
42000 Saint-Etienne - France

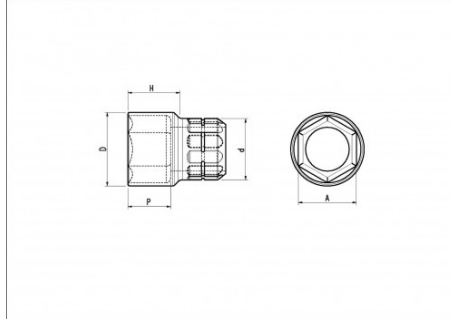
RCS Saint-Etienne B 338 002 231 | SAS au capital de 8 189 583 €

<https://www.sam-outillage.com/>

Photos and texts not contractually binding. Do not litter. Document generated on 2024-04-24 09:18:50



**SPECIFIC DATA**



Sales reference	Weight (g)	H (mm)	d (mm)	D (mm)	P (mm)	A (mm)	Guarantee
RHS-4	11	15.55	12.4	6.10	5.80	4	O
RHS-12	17	15.55	12.4	16.57	7.80	12	O
RHS-7	11	15.55	12.4	10.18	8.50	7	O
RHS-6	12	15.55	12.4	9.68	5.70	6	O
RHS-13	16	15.55	12.4	17.84	9.35	13	O
RHS-11	16	15.55	12.4	15.30	6.80	11	O
RHS-8	12	15.55	12.4	11.31	8.50	8	O
RHS-5	11	15.55	12.4	7.30	5.50	5	O
RHS-5,5	10	15.55	12.4	8.48	5.30	5.5	O
RHS-10	14	15.55	12.4	14.15	6.30	10	O
RHS-9	12	15.55	12.4	12.57	8.45	9	O

**Guarantee applied**

**O | SAM TOOL guarantee.**

Guarantee without time limit on the tools used under normal conditions.

**SAM Outillage**

10 rue Camille de Rochetaillée  
42000 Saint-Etienne - France

RCS Saint-Etienne B 338 002 231 | SAS au capital de 8 189 583 €

<https://www.sam-outillage.com/>



[>> Find out more](#)

**SAM Outillage**

10 rue Camille de Rochetaillée  
42000 Saint-Etienne - France

RCS Saint-Etienne B 338 002 231 | SAS au capital de 8 189 583 €

<https://www.sam-outillage.com/>

Photos and texts not contractually binding. Do not litter. Document generated on 2024-04-24 09:18:50

