



2/3 claw hydraulic extractors

EXH-220

SAM Outillage

10 rue Camille de Rochetaillée
42000 Saint-Etienne - France

RCS Saint-Etienne B 338 002 231 | SAS au capital de 8 189 583 €

<https://www.sam-outillage.com/>

Photos and texts not contractually binding. Do not litter. Document generated on 2024-04-30 20:49:36





DESCRIPTION



2/3 claw hydraulic extractors

SAFETY: The claws do not open more than recommended.**COMFORT:** Fitted with an O-ring limiting the absorption of the impact generated by the great forces.**PRACTICAL:** Self-centred, adjustable height.

Self-centring hydraulic puller with simultaneous claw movement, enabling quick, easy installation and balanced positioning for optimum distribution of the forces. Fitted with an O-ring that absorbs the impact generated by the great forces applied. Secure, it will not be possible to open the claws more than is recommended.

SAM Outillage

10 rue Camille de Rochetaillée
42000 Saint-Etienne - France

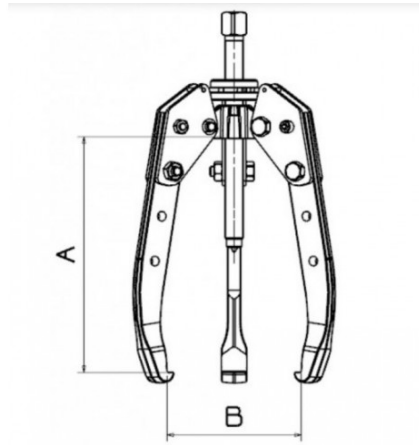
RCS Saint-Etienne B 338 002 231 | SAS au capital de 8 189 583 €

<https://www.sam-outillage.com/>

Photos and texts not contractually binding. Do not litter. Document generated on 2024-04-30 20:49:36



SPECIFIC DATA



Designation	SELF-CENTRING 2/3 CLAW HYDRAULIC EXTRACTOR
Sales reference	EXH-220
Weight (kg)	12
A (mm)	225
Power T	8
B (mm)	260
Guarantee	O SAM TOOL guarantee.

Guarantee applied

O | SAM TOOL guarantee.

Guarantee without time limit on the tools used under normal conditions.

[>> Find out more](#)

SAM Outillage

10 rue Camille de Rochetaillée
42000 Saint-Etienne - France

RCS Saint-Etienne B 338 002 231 | SAS au capital de 8 189 583 €

<https://www.sam-outillage.com/>

Photos and texts not contractually binding. Do not litter. Document generated on 2024-04-30 20:49:36

