



2-arm extractors for minor mechanical jobs

EX-90...N

SAM Outillage

10 rue Camille de Rochetaillée
42000 Saint-Etienne - France

RCS Saint-Etienne B 338 002 231 | SAS au capital de 8 189 583 €

<https://www.sam-outillage.com/>

Photos and texts not contractually binding. Do not litter. Document generated on 2024-05-03 03:28:37





DESCRIPTION

2-arm extractors for minor mechanical jobs

Pullers for small mechanical applications.

Exterior gripping only.

Very convenient to use thanks to the self-tightening device, the multiple-position setting and the slenderness of the claws.

Variable capacity depending on the positioning of the claws: crossed or uncrossed.

Optimum accessibility / power ratio.

Arc-shaped claws.

SPECIFIC DATA

SAM Outillage

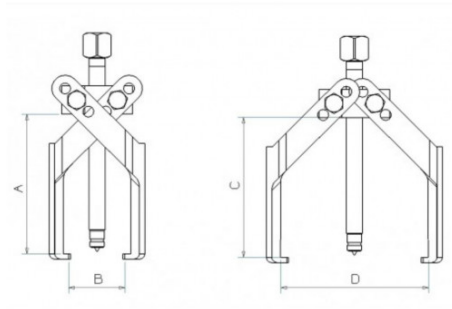
10 rue Camille de Rochetaillée
42000 Saint-Etienne - France

RCS Saint-Etienne B 338 002 231 | SAS au capital de 8 189 583 €

<https://www.sam-outillage.com/>

Photos and texts not contractually binding. Do not litter. Document generated on 2024-05-03 03:28:37





Sales reference	Weight (kg)	C (mm)	b (mm)	D (mm)	A (mm)	B (mm)	a (mm)	Guarantee	
EX-901N	0.4	90	-	95	90	55	-	1	O
EX-904N	0.94	160	-	125	125	80	-	2	O
EX-903N (not marketed)	0.83	120	-	125	125	70	-	2	O
EX-902N	0.38	90	-	95	90	55	-	1	O

Guarantee applied

O | SAM TOOL guarantee.

Guarantee without time limit on the tools used under normal conditions.

[>> Find out more](#)

SAM Outillage

10 rue Camille de Rochetaillée
42000 Saint-Etienne - France

RCS Saint-Etienne B 338 002 231 | SAS au capital de 8 189 583 €

<https://www.sam-outillage.com/>

Photos and texts not contractually binding. Do not litter. Document generated on 2024-05-03 03:28:37

