



## 2-rigid arm inner-outer extractors

**EX-83...**

### SAM Outillage

10 rue Camille de Rochetaillée  
42000 Saint-Etienne - France

RCS Saint-Etienne B 338 002 231 | SAS au capital de 8 189 583 €

<https://www.sam-outillage.com/>

Photos and texts not contractually binding. Do not litter. Document generated on 2024-05-02 10:36:52





## DESCRIPTION

### 2-rigid arm inner-outer extractors

PRACTICAL: Reversible claws.SAFETY: Lockable claws.

Reliable, powerful pullers for the dependable, fast extraction of bearings, pulleys and wheels thanks to the fine claws suited to a multitude of needs. Very quick to adjust thanks to a single nut on the flange.Interior and exterior gripping thanks to the reversible claws.Shouldering of the arms on the bracket guaranteeing greater strength. Lockable claws.

## SPECIFIC DATA

### SAM Outillage

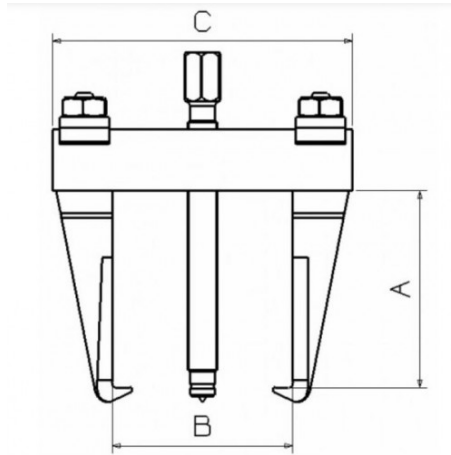
10 rue Camille de Rochetaillée  
42000 Saint-Etienne - France

RCS Saint-Etienne B 338 002 231 | SAS au capital de 8 189 583 €

<https://www.sam-outillage.com/>

Photos and texts not contractually binding. Do not litter. Document generated on 2024-05-02 10:36:52





Sales reference	Weight (kg)	C (mm)	A (mm)	Power T	B mm	B mm	B mm	B mm	Guarantee
EX-830	0.28	72	50	1	60	12	80	55	O
EX-830P	0.94	122	80	2	80	25	130	105	O
EX-830L (not marketed)	1.13	122	135	2	80	20	132	108	O
EX-831	1.08	156	80	2	115	25	160	105	O
EX-831N	1.25	156	135	2	115	25	165	108	O
EX-832L	3.18	210	160	10	155	30	222	159	O
EX-832M	3.78	210	220	10	145	40	215	162	O
EX-832N (not marketed)	3.47	260	160	10	195	40	277	166	O
EX-833N (not marketed)	4.1	260	220	10	195	50	270	173	O
EX-834 (not marketed)	10.38	345	260	20	250	75	335	222	O

**SAM Outillage**

10 rue Camille de Rochetaillée  
42000 Saint-Etienne - France

RCS Saint-Etienne B 338 002 231 | SAS au capital de 8 189 583 €

<https://www.sam-outillage.com/>

Photos and texts not contractually binding. Do not litter. Document generated on 2024-05-02 10:36:52



EX-834L	12.64	475	260	20	390	125	465	278	O
EX-834M	13.78	345	390	20	245	80	340	243	O
EX-834N	15.9	475	390	20	375	125	485	292	O
EX-834NX	15.8	675	260	20	600	215	680	310	O
EX-834NLX	26.5	675	390	20	600	215	680	310	O
EX-832	3.45	260	160	2	115	25	160	105	O

**Guarantee applied**

**O | SAM TOOL guarantee.**

Guarantee without time limit on the tools used under normal conditions.

[>> Find out more](#)

**SAM Outillage**

10 rue Camille de Rochetaillée  
42000 Saint-Etienne - France

RCS Saint-Etienne B 338 002 231 | SAS au capital de 8 189 583 €

<https://www.sam-outillage.com/>

Photos and texts not contractually binding. Do not litter. Document generated on 2024-05-02 10:36:52

