



## 2-arm extractor with adjustable interior-exterior width

**EX-82...N**

### SAM Outillage

10 rue Camille de Rochetaillée  
42000 Saint-Etienne - France

RCS Saint-Etienne B 338 002 231 | SAS au capital de 8 189 583 €

<https://www.sam-outillage.com/>

Photos and texts not contractually binding. Do not litter. Document generated on 2024-04-30 14:00:02





## DESCRIPTION

### 2-arm extractor with adjustable interior-exterior width

Two-arm, adjustable-width pullers. Interior and exterior gripping thanks to reversible claws. Blocking of the claws with screws and nuts. End of the pressure screw with rotary quenched tip to secure central contact without damaging the ends of the shaft. Simple, quick adjustment of the separation. Fine claws suited to a multitude of needs.

## SPECIFIC DATA

### SAM Outillage

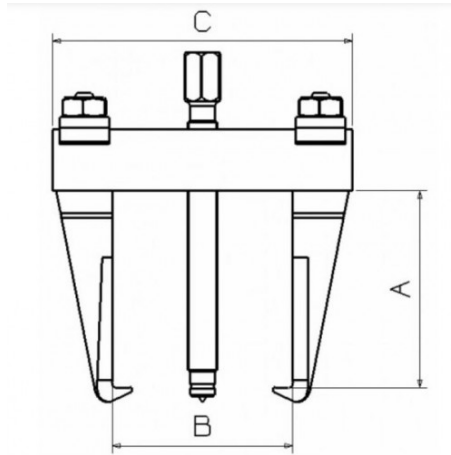
10 rue Camille de Rochetaillée  
42000 Saint-Etienne - France

RCS Saint-Etienne B 338 002 231 | SAS au capital de 8 189 583 €

<https://www.sam-outillage.com/>

Photos and texts not contractually binding. Do not litter. Document generated on 2024-04-30 14:00:02





Sales reference	Weight (kg)	C (mm)	A (mm)	Power T	B mm	B mm	B mm	B mm	Guarantee
EX-821N	1.035	134	100	3	95	30	130	92	O
EX-824N	3.38	250	155	12	190	35	250	135	O
EX-825N	7.7	325	205	12	240	50	325	175	O
EX-823N	2.47	223	150	7	160	40	225	130	O
EX-827N	14.3	585	200	12	510	90	580	220	O
EX-822N	1.23	176	100	3	135	35	175	100	O
EX-826N	8.6	425	200	12	350	60	425	175	O

**Guarantee applied**

**O | SAM TOOL guarantee.**

Guarantee without time limit on the tools used under normal conditions.

[>> Find out more](#)

**SAM Outillage**

10 rue Camille de Rochetaillée  
42000 Saint-Etienne - France

RCS Saint-Etienne B 338 002 231 | SAS au capital de 8 189 583 €

<https://www.sam-outillage.com/>

Photos and texts not contractually binding. Do not litter. Document generated on 2024-04-30 14:00:02

