



## Long 3-arm self-tightening extractors

**EX-75...L**

### SAM Outillage

10 rue Camille de Rochetaillée  
42000 Saint-Etienne - France

RCS Saint-Etienne B 338 002 231 | SAS au capital de 8 189 583 €

<https://www.sam-outillage.com/>

Photos and texts not contractually binding. Do not litter. Document generated on 2024-04-29 09:58:40





## DESCRIPTION

### Long 3-arm self-tightening extractors

**SAFETY:** Self-tightening extraction arms.**COMFORT:** Adjustable extraction height.**PRACTICAL:** Convertible to 2 or 3 claws.

Long self-tightening 3-arm pullers (4 heights). The utilisation of 3 claws ensures more dependable extraction than with the 2-claw version. Pullers with self-tightening claws particularly well-suited to extracting pulleys, wheels and ball-bearings. Versatile thanks to the adjustable and variable extraction depths. Particularly well-suited for the extraction of grooved pulleys for V-belts, engine flywheels mounted on long shafts.

## SPECIFIC DATA

### SAM Outillage

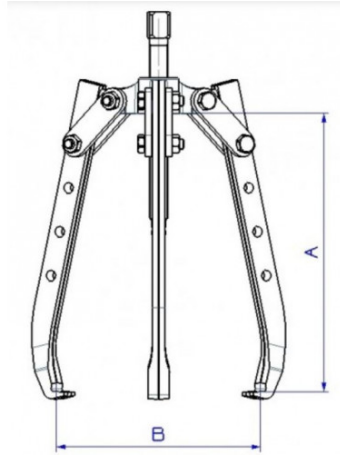
10 rue Camille de Rochetaillée  
42000 Saint-Etienne - France

RCS Saint-Etienne B 338 002 231 | SAS au capital de 8 189 583 €

<https://www.sam-outillage.com/>

Photos and texts not contractually binding. Do not litter. Document generated on 2024-04-29 09:58:40





Sales reference	Weight (kg)	A (mm)	screw	B (mm)	screw	Guarantee
EX-751-L	0.7	120	EX-751-L-V1	125	EX-751-L-C1	1T
EX-759-L	4.98	270	EX-759-L-V1	330	EX-759-L-C1	8T
EX-757-L	4.65	270	EX-757-L-V1	280	EX-757-L-C1	7T
EX-754-L	2.08	210	EX-754-L-V1	220	EX-754-L-C1	4T

O  
O  
O  
O

**Guarantee applied**

**O | SAM TOOL guarantee.**

Guarantee without time limit on the tools used under normal conditions.

[>> Find out more](#)

**SAM Outillage**

10 rue Camille de Rochetaillée  
42000 Saint-Etienne - France

RCS Saint-Etienne B 338 002 231 | SAS au capital de 8 189 583 €

<https://www.sam-outillage.com/>

Photos and texts not contractually binding. Do not litter. Document generated on 2024-04-29 09:58:40

