



Short 3-arm self-tightening extractors

EX-75...

SAM Outillage

10 rue Camille de Rochetaillée
42000 Saint-Etienne - France

RCS Saint-Etienne B 338 002 231 | SAS au capital de 8 189 583 €

<https://www.sam-outillage.com/>

Photos and texts not contractually binding. Do not litter. Document generated on 2024-05-01 10:28:14





DESCRIPTION

Short 3-arm self-tightening extractors

SAFETY: Self-tightening extraction arms. **COMFORT:** Adjustable extraction height. **PRACTICAL:** Convertible to 2 or 3 claws.

Short self-tightening 3-claw pullers (3 heights). The utilisation of 3 claws ensures dependable extraction. Pullers with self-tightening claws particularly well-suited to extracting pulleys, wheels and ball-bearings. Versatile thanks to the adjustable and variable extraction depths. Particularly well-suited for the extraction of grooved pulleys for V-belts, engine flywheels mounted on long shafts.

SPECIFIC DATA

SAM Outillage

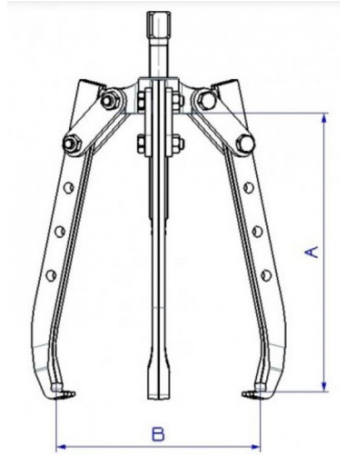
10 rue Camille de Rochetaillée
42000 Saint-Etienne - France

RCS Saint-Etienne B 338 002 231 | SAS au capital de 8 189 583 €

<https://www.sam-outillage.com/>

Photos and texts not contractually binding. Do not litter. Document generated on 2024-05-01 10:28:14





Sales reference	Weight (kg)	A (mm)	screw	B (mm)	screw	Guarantee
EX-751	0.66	105	EX-751-V1	110	EX-751-C1	1T
EX-759 (not marketed)	4.55	225	EX-759-V1	290	EX-759-C1	8T
EX-757	4.06	225	EX-757-V1	240	EX-757-C1	7T
EX-754	2	185	EX-754-V1	175	EX-754-C1	4T

O
O
O
O

Guarantee applied

O | SAM TOOL guarantee.

Guarantee without time limit on the tools used under normal conditions.

[>> Find out more](#)

SAM Outillage

10 rue Camille de Rochetaillée
42000 Saint-Etienne - France

RCS Saint-Etienne B 338 002 231 | SAS au capital de 8 189 583 €

<https://www.sam-outillage.com/>

