



Long 2-arm self-tightening extractors

EX-625-L

EX-62...-L

SAM Outillage

10 rue Camille de Rochetaillée
42000 Saint-Etienne - France

RCS Saint-Etienne B 338 002 231 | SAS au capital de 8 189 583 €

<https://www.sam-outillage.com/>

Photos and texts not contractually binding. Do not litter. Document generated on 2024-05-01 13:36:18





DESCRIPTION

Long 2-arm self-tightening extractors

MULTI-PURPOSE: 4 setting positions.SAFETY: long self-tightening arms.

Long self-tightening 2-arm puller (4 heights).Pullers with self-tightening claws particularly well-suited to extracting pulleys, wheels and ball-bearings.Versatile thanks to the adjustable and variable extraction depths.Particularly well-suited for the extraction of grooved pulleys for V-belts, engine flywheels mounted on long shafts. Smooth nickel finish.

SPECIFIC DATA

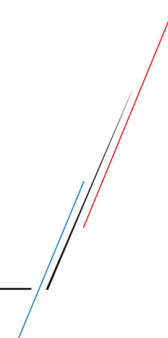
SAM Outillage

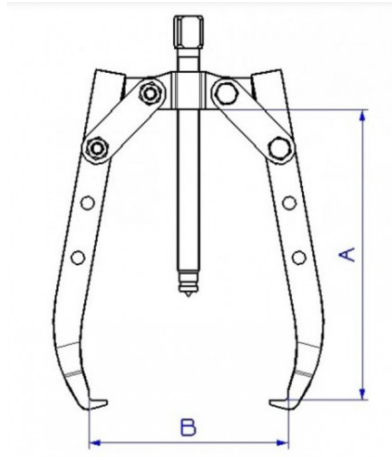
10 rue Camille de Rochetaillée
42000 Saint-Etienne - France

RCS Saint-Etienne B 338 002 231 | SAS au capital de 8 189 583 €

<https://www.sam-outillage.com/>

Photos and texts not contractually binding. Do not litter. Document generated on 2024-05-01 13:36:18





| | |
|-----------------|--------------------------------------|
| Designation | LONG 2-ARM SELF-TIGHTENING EXTRACTOR |
| Sales reference | EX-625-L |
| Weight (kg) | 3.2 |
| A (mm) | 270 |
| screw | EX-625-L-V1 |
| B (mm) | 280 |
| screw | EX-625-L-C1 |
| Guarantee | 7T |

Guarantee applied

O | SAM TOOL guarantee.

Guarantee without time limit on the tools used under normal conditions.

[>> Find out more](#)

SAM Outillage

10 rue Camille de Rochetaillée
42000 Saint-Etienne - France

RCS Saint-Etienne B 338 002 231 | SAS au capital de 8 189 583 €

<https://www.sam-outillage.com/>

Photos and texts not contractually binding. Do not litter. Document generated on 2024-05-01 13:36:18

