



## Long 2-arm self-tightening extractors

**EX-62...-L**

### SAM Outillage

10 rue Camille de Rochetaillée  
42000 Saint-Etienne - France

RCS Saint-Etienne B 338 002 231 | SAS au capital de 8 189 583 €

<https://www.sam-outillage.com/>

Photos and texts not contractually binding. Do not litter. Document generated on 2024-05-01 18:35:54





## DESCRIPTION

### Long 2-arm self-tightening extractors

MULTI-PURPOSE: 4 setting positions. SAFETY: long self-tightening arms.

Long self-tightening 2-arm puller (4 heights). Pullers with self-tightening claws particularly well-suited to extracting pulleys, wheels and ball-bearings. Versatile thanks to the adjustable and variable extraction depths. Particularly well-suited for the extraction of grooved pulleys for V-belts, engine flywheels mounted on long shafts. Smooth nickel finish.

## SPECIFIC DATA

### SAM Outillage

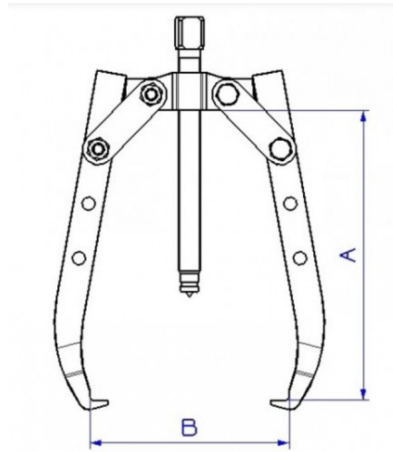
10 rue Camille de Rochetaillée  
42000 Saint-Etienne - France

RCS Saint-Etienne B 338 002 231 | SAS au capital de 8 189 583 €

<https://www.sam-outillage.com/>

Photos and texts not contractually binding. Do not litter. Document generated on 2024-05-01 18:35:54





Sales reference	Weight (kg)	A (mm)	screw	B (mm)	screw	Guarantee
EX-621-L	0.5	120	EX-621-L-V1	125	EX-621-L-C1	1T
EX-627-L (not marketed)	3.525	270	EX-627-L-V1	330	EX-627-L-C1	8T
EX-625-L	3.2	270	EX-625-L-V1	280	EX-625-L-C1	7T
EX-623-L	1.36	210	EX-623-L-V1	220	EX-623-L-C1	4T

O  
O  
O  
O

**Guarantee applied**

**O | SAM TOOL guarantee.**

Guarantee without time limit on the tools used under normal conditions.

[>> Find out more](#)

**SAM Outillage**

10 rue Camille de Rochetaillée  
42000 Saint-Etienne - France

RCS Saint-Etienne B 338 002 231 | SAS au capital de 8 189 583 €

<https://www.sam-outillage.com/>

Photos and texts not contractually binding. Do not litter. Document generated on 2024-05-01 18:35:54

