



3-arm extractors for micro-extraction

EX-483N

EX-48...N

SAM Outillage

10 rue Camille de Rochetaillée
42000 Saint-Etienne - France

RCS Saint-Etienne B 338 002 231 | SAS au capital de 8 189 583 €

<https://www.sam-outillage.com/>

Photos and texts not contractually binding. Do not litter. Document generated on 2024-05-04 04:37:57





DESCRIPTION

3-arm extractors for micro-extraction

SAFETY: Self-tightening extraction arms.**COMFORT:** Adjustable extraction height.**VERSATILE:** Transformation to 2 or 3 arms.

Three-branch puller designed for small mechanical applications. Perfect for extracting small mechanical parts from the outside (small bearings, pinions, battery terminals). Self-tightening puller arms with adjustable height. These pullers can be converted into a 2-branch version, making them extremely versatile.

SPECIFIC DATA

SAM Outillage

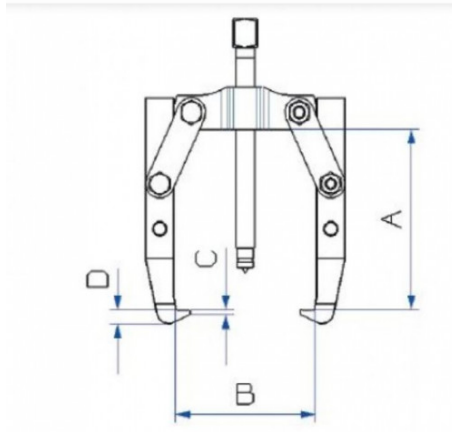
10 rue Camille de Rochetaillée
42000 Saint-Etienne - France

RCS Saint-Etienne B 338 002 231 | SAS au capital de 8 189 583 €

<https://www.sam-outillage.com/>

Photos and texts not contractually binding. Do not litter. Document generated on 2024-05-04 04:37:57





| | |
|-----------------|---------------------------------------|
| Designation | 3-ARM EXTRACTORS FOR MICRO EXTRACTION |
| Sales reference | EX-483N |
| Weight (kg) | 0.670 |
| C (mm) | 2.5 |
| b (mm) | 76 |
| D (mm) | 6 |
| A (mm) | 88 |
| B (mm) | 53 |
| a (mm) | 56 |
| Guarantee | O |

Guarantee applied

O | SAM TOOL guarantee.

Guarantee without time limit on the tools used under normal conditions.

[>> Find out more](#)

SAM Outillage

10 rue Camille de Rochetaillée
42000 Saint-Etienne - France

RCS Saint-Etienne B 338 002 231 | SAS au capital de 8 189 583 €

<https://www.sam-outillage.com/>

Photos and texts not contractually binding. Do not litter. Document generated on 2024-05-04 04:37:57

