



## 3-arm extractors for micro-extraction

**EX-482N**

EX-48...N

### SAM Outillage

10 rue Camille de Rochetaillée  
42000 Saint-Etienne - France

RCS Saint-Etienne B 338 002 231 | SAS au capital de 8 189 583 €

<https://www.sam-outillage.com/>

Photos and texts not contractually binding. Do not litter. Document generated on 2024-05-04 07:20:31





## DESCRIPTION

### 3-arm extractors for micro-extraction

**SAFETY:** Self-tightening extraction arms.**COMFORT:** Adjustable extraction height.**VERSATILE:** Transformation to 2 or 3 arms.

Three-branch puller designed for small mechanical applications. Perfect for extracting small mechanical parts from the outside (small bearings, pinions, battery terminals). Self-tightening puller arms with adjustable height. These pullers can be converted into a 2-branch version, making them extremely versatile.

## SPECIFIC DATA

### SAM Outillage

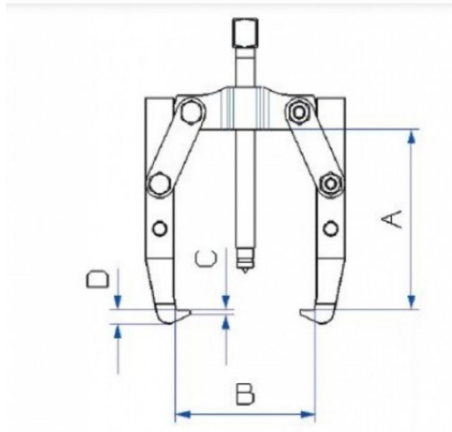
10 rue Camille de Rochetaillée  
42000 Saint-Etienne - France

RCS Saint-Etienne B 338 002 231 | SAS au capital de 8 189 583 €

<https://www.sam-outillage.com/>

Photos and texts not contractually binding. Do not litter. Document generated on 2024-05-04 07:20:31





Designation	3-ARM EXTRACTORS FOR MICRO EXTRACTION
Sales reference	EX-482N
Weight (kg)	0.270
C (mm)	1.5
b (mm)	54
D (mm)	4.5
A (mm)	60
B (mm)	40
a (mm)	40
Guarantee	O

**Guarantee applied**

**O | SAM TOOL guarantee.**

Guarantee without time limit on the tools used under normal conditions.

[>> Find out more](#)

**SAM Outillage**

10 rue Camille de Rochetaillée  
42000 Saint-Etienne - France

RCS Saint-Etienne B 338 002 231 | SAS au capital de 8 189 583 €

<https://www.sam-outillage.com/>

Photos and texts not contractually binding. Do not litter. Document generated on 2024-05-04 07:20:31

