



3-arm extractors for micro-extraction

EX-48...N

SAM Outillage

10 rue Camille de Rochetaillée
42000 Saint-Etienne - France

RCS Saint-Etienne B 338 002 231 | SAS au capital de 8 189 583 €

<https://www.sam-outillage.com/>

Photos and texts not contractually binding. Do not litter. Document generated on 2024-05-04 05:15:20





DESCRIPTION

3-arm extractors for micro-extraction

SAFETY: Self-tightening extraction arms.**COMFORT:** Adjustable extraction height.**VERSATILE:** Transformation to 2 or 3 arms.

Three-branch puller designed for small mechanical applications. Perfect for extracting small mechanical parts from the outside (small bearings, pinions, battery terminals). Self-tightening puller arms with adjustable height. These pullers can be converted into a 2-branch version, making them extremely versatile.

SPECIFIC DATA

SAM Outillage

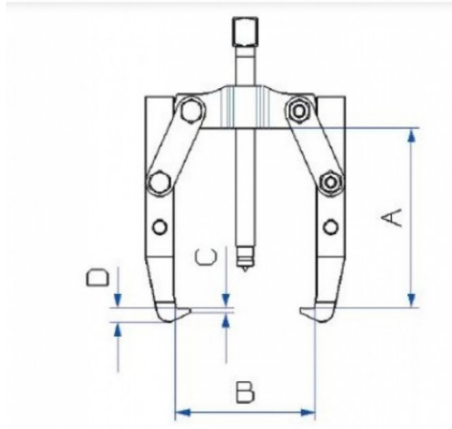
10 rue Camille de Rochetaillée
42000 Saint-Etienne - France

RCS Saint-Etienne B 338 002 231 | SAS au capital de 8 189 583 €

<https://www.sam-outillage.com/>

Photos and texts not contractually binding. Do not litter. Document generated on 2024-05-04 05:15:20





Sales reference	Weight (kg)	C (mm)	b (mm)	D (mm)	A (mm)	B (mm)	a (mm)	Guarantee
EX-482N	0.270	1.5	54	4.5	60	40	40	O
EX-483N	0.670	2.5	76	6	88	53	56	O

Guarantee applied

O | SAM TOOL guarantee.

Guarantee without time limit on the tools used under normal conditions.

[>> Find out more](#)

SAM Outillage

10 rue Camille de Rochetaillée
42000 Saint-Etienne - France

RCS Saint-Etienne B 338 002 231 | SAS au capital de 8 189 583 €

<https://www.sam-outillage.com/>

Photos and texts not contractually binding. Do not litter. Document generated on 2024-05-04 05:15:20

