



## 2-arm extractors for micro-extraction

**EX-453N**

EX-45...N

### SAM Outillage

10 rue Camille de Rochetaillée  
42000 Saint-Etienne - France

RCS Saint-Etienne B 338 002 231 | SAS au capital de 8 189 583 €

<https://www.sam-outillage.com/>

Photos and texts not contractually binding. Do not litter. Document generated on 2024-04-30 19:15:20





## DESCRIPTION

### 2-arm extractors for micro-extraction

SAFETY: Self-tightening extraction arms.COMFORT: Adjustable extraction height.

Two-arm pullers for micro-extraction, ideal for micro-mechanical applications. Ideal for extracting small mechanical parts from the outside. (Small mechanical parts such as small bearings, pinions or battery terminals). Self-tightening puller arms enabling perfect extraction.Versatile puller thanks to the claw height adjustment.

## SPECIFIC DATA

### SAM Outillage

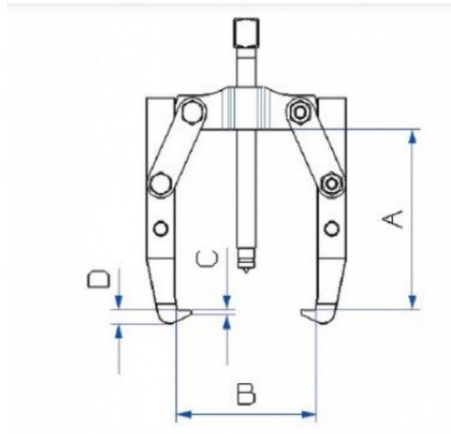
10 rue Camille de Rochetaillée  
42000 Saint-Etienne - France

RCS Saint-Etienne B 338 002 231 | SAS au capital de 8 189 583 €

<https://www.sam-outillage.com/>

Photos and texts not contractually binding. Do not litter. Document generated on 2024-04-30 19:15:20





Designation	2-ARM EXTRACTORS FOR MICRO EXTRACTION
Sales reference	EX-453N
Weight (kg)	0.46
C (mm)	2.5
b (mm)	76
D (mm)	6
A (mm)	88
B (mm)	53
a (mm)	56
Guarantee	1

**Guarantee applied**

**O | SAM TOOL guarantee.**

Guarantee without time limit on the tools used under normal conditions.

[>> Find out more](#)

**SAM Outillage**

10 rue Camille de Rochetaillée  
42000 Saint-Etienne - France

RCS Saint-Etienne B 338 002 231 | SAS au capital de 8 189 583 €

<https://www.sam-outillage.com/>

Photos and texts not contractually binding. Do not litter. Document generated on 2024-04-30 19:15:20

