



2-arm extractors for micro-extraction

EX-452N

EX-45...N

SAM Outillage

10 rue Camille de Rochetaillée
42000 Saint-Etienne - France

RCS Saint-Etienne B 338 002 231 | SAS au capital de 8 189 583 €

<https://www.sam-outillage.com/>

Photos and texts not contractually binding. Do not litter. Document generated on 2024-04-30 21:14:22





DESCRIPTION

2-arm extractors for micro-extraction

SAFETY: Self-tightening extraction arms.COMFORT: Adjustable extraction height.

Two-arm pullers for micro-extraction, ideal for micro-mechanical applications. Ideal for extracting small mechanical parts from the outside. (Small mechanical parts such as small bearings, pinions or battery terminals). Self-tightening puller arms enabling perfect extraction.Versatile puller thanks to the claw height adjustment.

SPECIFIC DATA

SAM Outillage

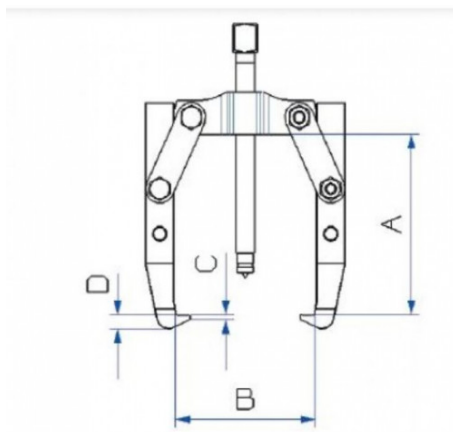
10 rue Camille de Rochetaillée
42000 Saint-Etienne - France

RCS Saint-Etienne B 338 002 231 | SAS au capital de 8 189 583 €

<https://www.sam-outillage.com/>

Photos and texts not contractually binding. Do not litter. Document generated on 2024-04-30 21:14:22





Designation	2-ARM EXTRACTORS FOR MICRO EXTRACTION
Sales reference	EX-452N
Weight (kg)	0.2
C (mm)	1.5
b (mm)	54
D (mm)	4.5
A (mm)	60
B (mm)	40
a (mm)	40
Guarantee	0,5

Guarantee applied

O | SAM TOOL guarantee.

Guarantee without time limit on the tools used under normal conditions.

[>> Find out more](#)

SAM Outillage

10 rue Camille de Rochetaillée
42000 Saint-Etienne - France

RCS Saint-Etienne B 338 002 231 | SAS au capital de 8 189 583 €

<https://www.sam-outillage.com/>

Photos and texts not contractually binding. Do not litter. Document generated on 2024-04-30 21:14:22

