



## 2-arm extractors for micro-extraction

**EX-45...N**

### SAM Outillage

10 rue Camille de Rochetaillée  
42000 Saint-Etienne - France

RCS Saint-Etienne B 338 002 231 | SAS au capital de 8 189 583 €

<https://www.sam-outillage.com/>

Photos and texts not contractually binding. Do not litter. Document generated on 2024-05-01 06:54:31





## DESCRIPTION

### 2-arm extractors for micro-extraction

**SAFETY:** Self-tightening extraction arms. **COMFORT:** Adjustable extraction height.

Two-arm pullers for micro-extraction, ideal for micro-mechanical applications. Ideal for extracting small mechanical parts from the outside. (Small mechanical parts such as small bearings, pinions or battery terminals). Self-tightening puller arms enabling perfect extraction. Versatile puller thanks to the claw height adjustment.

## SPECIFIC DATA

### SAM Outillage

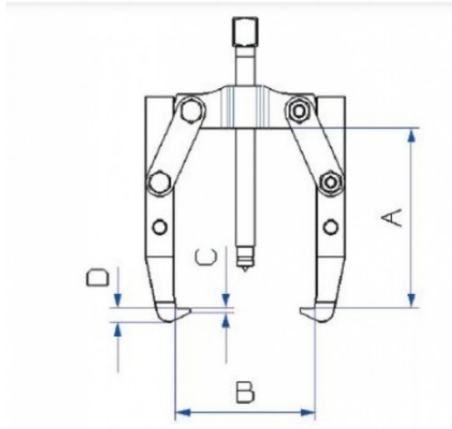
10 rue Camille de Rochetaillée  
42000 Saint-Etienne - France

RCS Saint-Etienne B 338 002 231 | SAS au capital de 8 189 583 €

<https://www.sam-outillage.com/>

Photos and texts not contractually binding. Do not litter. Document generated on 2024-05-01 06:54:31





Sales reference	Weight (kg)	C (mm)	b (mm)	D (mm)	A (mm)	B (mm)	a (mm)	Guarantee
EX-452N	0.2	1.5	54	4.5	60	40	40	0,5
EX-453N	0.46	2.5	76	6	88	53	56	1

O  
O

**Guarantee applied**

**O | SAM TOOL guarantee.**

Guarantee without time limit on the tools used under normal conditions.

[>> Find out more](#)

**SAM Outillage**

10 rue Camille de Rochetaillée  
42000 Saint-Etienne - France

RCS Saint-Etienne B 338 002 231 | SAS au capital de 8 189 583 €

<https://www.sam-outillage.com/>

Photos and texts not contractually binding. Do not litter. Document generated on 2024-05-01 06:54:31

