

## 3-claw extractors with fine branches

**EX-320...0**

### SAM Outillage

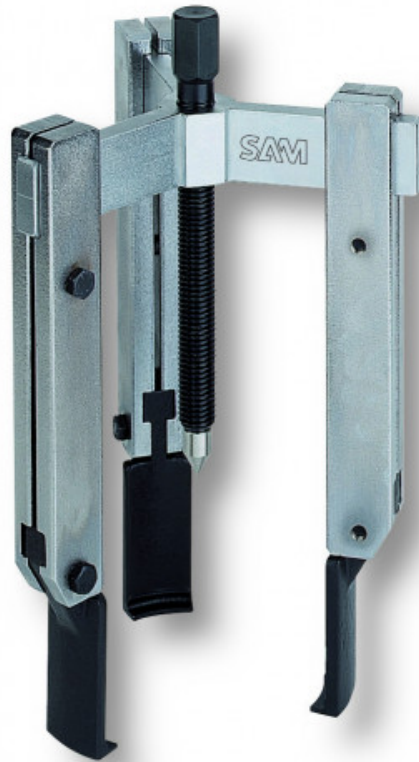
10 rue Camille de Rochetaillée  
42000 Saint-Etienne - France

RCS Saint-Etienne B 338 002 231 | SAS au capital de 8 189 583 €

<https://www.sam-outillage.com/>

Photos and texts not contractually binding. Do not litter. Document generated on 2024-05-06 21:21:10





## DESCRIPTION

### 3-claw extractors with fine branches

PRACTICAL: Thin legs for accessing restricted spaces. COMFORT: Adjustable extraction width.

External pullers with very fine arms for very confined spaces. This type of puller provides access to places where other pullers can't go. They are ideally suited to very confined spaces and for limited extraction power levels without requiring a great amount of force (force from the exterior only). Ideal for extracting bearings, pulleys and gears.

## SPECIFIC DATA

### SAM Outillage

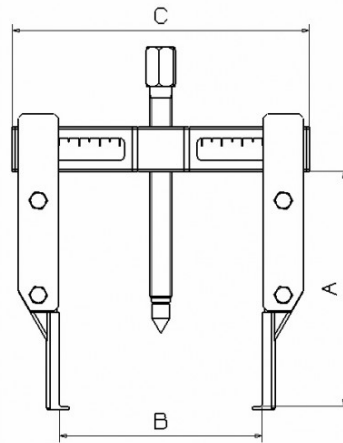
10 rue Camille de Rochetaillée  
42000 Saint-Etienne - France

RCS Saint-Etienne B 338 002 231 | SAS au capital de 8 189 583 €

<https://www.sam-outillage.com/>

Photos and texts not contractually binding. Do not litter. Document generated on 2024-05-06 21:21:10





Sales reference	Weight (kg)	C (mm)	A (mm)	Power T	B mm	B mm	B mm	B mm	Guarantee
EX-320-50  (not marketed)	5.190	270	300	9	215	40	270	115	O
EX-320-20	2.500	170	145	2.5	125	30	170	90	O
EX-320-30  (not marketed)	3.100	170	195	3.1	125	30	170	90	O
EX-320-10	1.900	170	105	1.9	125	30	170	90	O
EX-320-40	6.800	270	200	7.5	215	40	270	115	O

**Guarantee applied**

**O | SAM TOOL guarantee.**

Guarantee without time limit on the tools used under normal conditions.

[>> Find out more](#)

**SAM Outillage**

10 rue Camille de Rochetaillée  
42000 Saint-Etienne - France

RCS Saint-Etienne B 338 002 231 | SAS au capital de 8 189 583 €

<https://www.sam-outillage.com/>

Photos and texts not contractually binding. Do not litter. Document generated on 2024-05-06 21:21:10

