

2 and 3-arm self-centring extractor

EX-220...

SAM Outillage

10 rue Camille de Rochetaillée
42000 Saint-Etienne - France

RCS Saint-Etienne B 338 002 231 | SAS au capital de 8 189 583 €

<https://www.sam-outillage.com/>

Photos and texts not contractually binding. Do not litter. Document generated on 2024-05-03 21:01:24





DESCRIPTION



2 and 3-arm self-centring extractor

SAFETY: The claws do not open more than recommended.**COMFORT:** Fitted with an O-ring limiting the absorption of the impact generated by the great forces.**PRACTICAL:** Self-centred, adjustable height.

Self-centring pullers with simultaneous claw movement, enabling quick, easy installation and balanced positioning for optimum distribution of the forces. Fitted with an O-ring that absorbs the impact generated by the great forces applied. On references EX-220-6 and 7, the body of the puller has a bronze nut allowing you to increase the traction force. Secure, it will not be possible to open the claws more than is recommended.

SAM Outillage

10 rue Camille de Rochetaillée
42000 Saint-Etienne - France

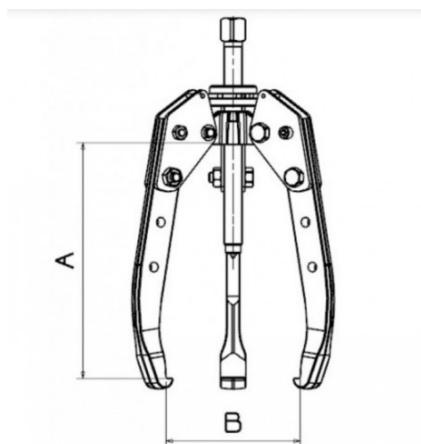
RCS Saint-Etienne B 338 002 231 | SAS au capital de 8 189 583 €

<https://www.sam-outillage.com/>

Photos and texts not contractually binding. Do not litter. Document generated on 2024-05-03 21:01:24



SPECIFIC DATA



Sales reference	Weight (kg)	A (mm)	Power T	B (mm)	Guarantee
EX-220-1	0.840	105	1	110	O
EX-220-6	55.500	600	30	650	O
EX-220-2	2.500	185	4	175	O
EX-220-5	32.500	500	17	480	O
EX-220-4	10.850	410	10	350	O
EX-220-3	4.700	225	7	240	O

Guarantee applied

O | SAM TOOL guarantee.

Guarantee without time limit on the tools used under normal conditions.

[>> Find out more](#)

SAM Outillage

10 rue Camille de Rochetaillée
42000 Saint-Etienne - France

RCS Saint-Etienne B 338 002 231 | SAS au capital de 8 189 583 €

<https://www.sam-outillage.com/>

