



Interior-exterior extractors

EX-138...

SAM Outillage

10 rue Camille de Rochetaillée
42000 Saint-Etienne - France

RCS Saint-Etienne B 338 002 231 | SAS au capital de 8 189 583 €

<https://www.sam-outillage.com/>

Photos and texts not contractually binding. Do not litter. Document generated on 2024-04-29 22:52:36





DESCRIPTION

Interior-exterior extractors

Convertible to 2- or 3-claw version. Reversible claws.

Simple and quick setting of the separation.

Fine claws suited to multiple needs.

These pullers can be used with inertia mass EX-137-M2N.

Ref. EX-138-3 includes EX-138-2 + EX-137-M2N.

Inner dia. min. 25, max. 100 mm.

Outer dia. min. 0, max. 75 mm.

SPECIFIC DATA

SAM Outillage

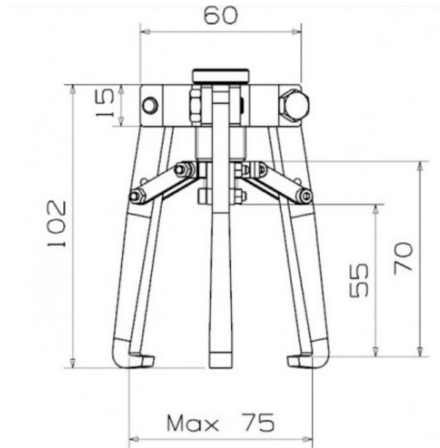
10 rue Camille de Rochetaillée
42000 Saint-Etienne - France

RCS Saint-Etienne B 338 002 231 | SAS au capital de 8 189 583 €

<https://www.sam-outillage.com/>

Photos and texts not contractually binding. Do not litter. Document generated on 2024-04-29 22:52:36





Sales reference	Weight (kg)	C (mm)	A (mm)	Power T	B mm	B mm	B mm	B mm	Guarantee
EX-138-2	0.54	0	0	1,5	100	25	75	0	O
EX-138-3	2.08	0	0	1,5	100	25	75	0	O

Guarantee applied

O | SAM TOOL guarantee.

Guarantee without time limit on the tools used under normal conditions.

[>> Find out more](#)

SAM Outillage

10 rue Camille de Rochetaillée
42000 Saint-Etienne - France

RCS Saint-Etienne B 338 002 231 | SAS au capital de 8 189 583 €

<https://www.sam-outillage.com/>

Photos and texts not contractually binding. Do not litter. Document generated on 2024-04-29 22:52:36

