



Interior-exterior extractors

EX-138-3

EX-138...

SAM Outillage

10 rue Camille de Rochetaillée
42000 Saint-Etienne - France

RCS Saint-Etienne B 338 002 231 | SAS au capital de 8 189 583 €

<https://www.sam-outillage.com/>

Photos and texts not contractually binding. Do not litter. Document generated on 2024-04-30 11:55:41



**DESCRIPTION**

Interior-exterior extractors

Convertible to 2- or 3-claw version. Reversible claws.

Simple and quick setting of the separation.

Fine claws suited to multiple needs.

These pullers can be used with inertia mass EX-137-M2N.

Ref. EX-138-3 includes EX-138-2 + EX-137-M2N.

Inner dia. min. 25, max. 100 mm.

Outer dia. min. 0, max. 75 mm.

SAM Outillage

10 rue Camille de Rochetaillée
42000 Saint-Etienne - France

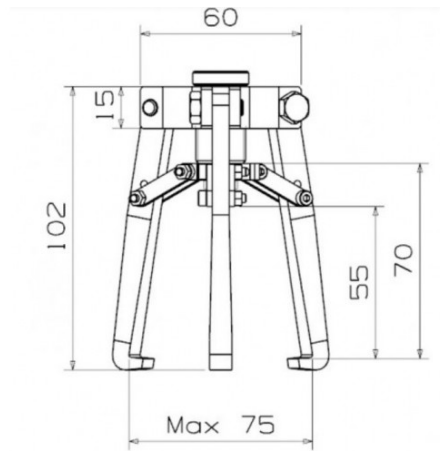
RCS Saint-Etienne B 338 002 231 | SAS au capital de 8 189 583 €

<https://www.sam-outillage.com/>

Photos and texts not contractually binding. Do not litter. Document generated on 2024-04-30 11:55:41



SPECIFIC DATA



Designation	INNER EXTRACTOR
Sales reference	EX-138-3
Weight (kg)	2.08
C (mm)	0
A (mm)	0
Power T	1,5
B mm	100
B mm	25
B mm	75
B mm	0
Guarantee	0

Guarantee applied

0 | SAM TOOL guarantee.

Guarantee without time limit on the tools used under normal conditions.

[>> Find out more](#)

SAM Outillage

10 rue Camille de Rochetaillée
42000 Saint-Etienne - France

RCS Saint-Etienne B 338 002 231 | SAS au capital de 8 189 583 €

<https://www.sam-outillage.com/>

