

Puller-separator

EX-113-A

EX-11...-A

SAM Outillage

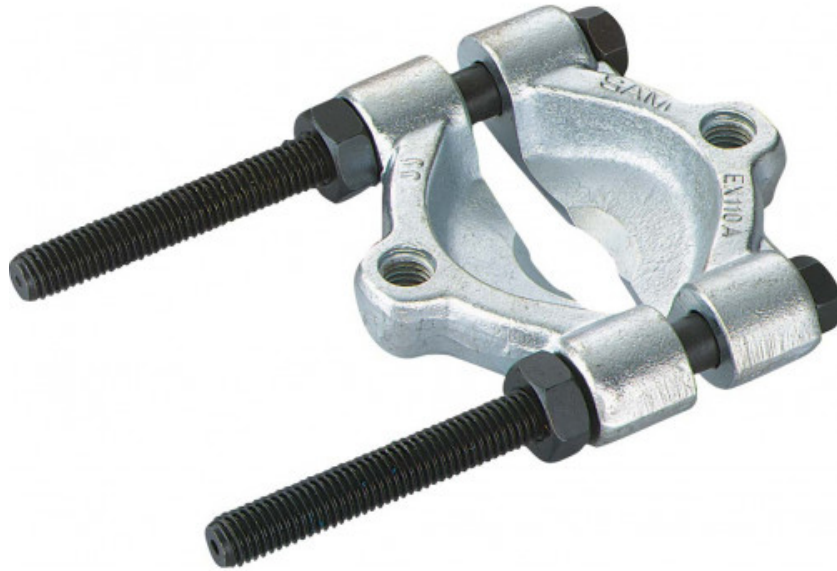
10 rue Camille de Rochetaillée
42000 Saint-Etienne - France

RCS Saint-Etienne B 338 002 231 | SAS au capital de 8 189 583 €

<https://www.sam-outillage.com/>

Photos and texts not contractually binding. Do not litter. Document generated on 2024-05-03 17:32:24





DESCRIPTION

Puller-separator

the separator enable to disengage a bearing, a ring, leant against a unit, making impossible the grab with a jaw puller.

The pulling will be finished : either by taking back the unit with a puller after separating , or by using a puller support adapted

SPECIFIC DATA

SAM Outillage

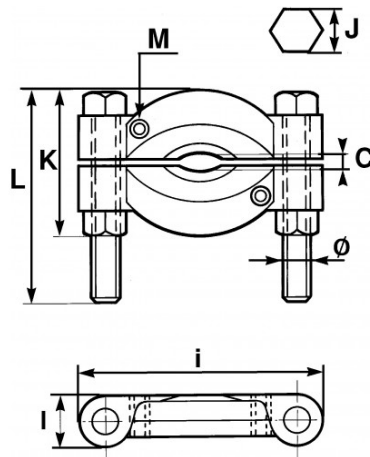
10 rue Camille de Rochetaillée
42000 Saint-Etienne - France

RCS Saint-Etienne B 338 002 231 | SAS au capital de 8 189 583 €

<https://www.sam-outillage.com/>

Photos and texts not contractually binding. Do not litter. Document generated on 2024-05-03 17:32:24





Designation	BEARING SEPARATOR 50-190 MM
Sales reference	EX-113-A
L (mm)	345
Weight (kg)	8.300
Ø mm	24
l (mm)	42
i (mm)	270
J (mm)	32
K (mm)	155
M (mm)	22
C min mm	30
C max mm	290
Guarantee	O

Guarantee applied

O | SAM TOOL guarantee.

Guarantee without time limit on the tools used under normal conditions.

>> [Find out more](#)

SAM Outillage

10 rue Camille de Rochetaillée
42000 Saint-Etienne - France

RCS Saint-Etienne B 338 002 231 | SAS au capital de 8 189 583 €

<https://www.sam-outillage.com/>

