

Puller-separator

EX-112-A

EX-11...-A

SAM Outillage

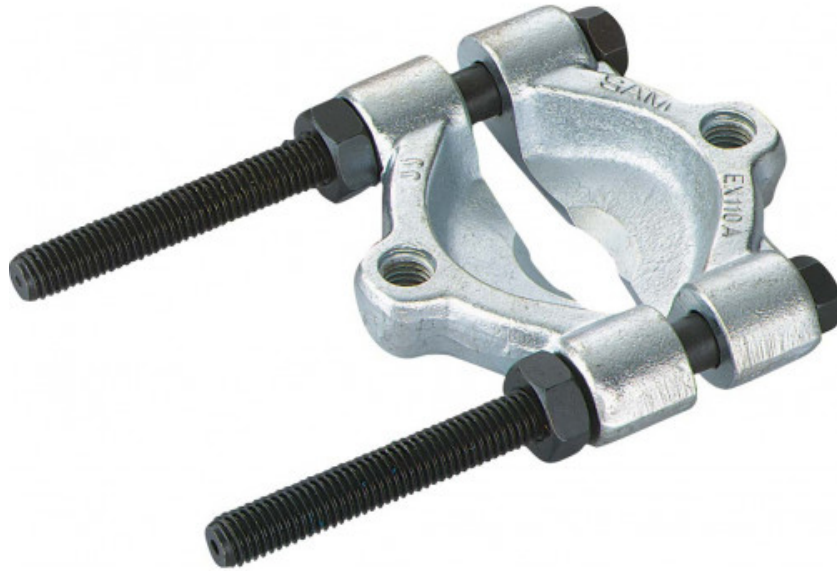
10 rue Camille de Rochetaillée
42000 Saint-Etienne - France

RCS Saint-Etienne B 338 002 231 | SAS au capital de 8 189 583 €

<https://www.sam-outillage.com/>

Photos and texts not contractually binding. Do not litter. Document generated on 2024-05-03 22:11:33





DESCRIPTION

Puller-separator

the separator enable to disengage a bearing, a ring, leant against a unit, making impossible the grab with a jaw puller.
The pulling will be finished : either by taking back the unit with a puller after separating , or by using a puller support adapted

SPECIFIC DATA

SAM Outillage

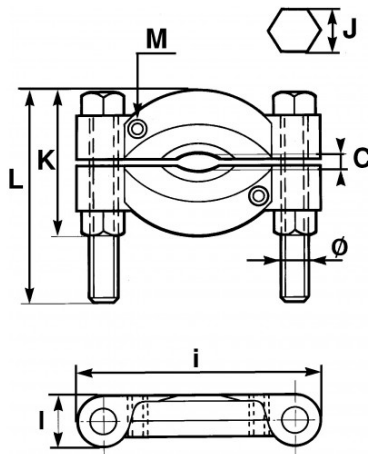
10 rue Camille de Rochetaillée
42000 Saint-Etienne - France

RCS Saint-Etienne B 338 002 231 | SAS au capital de 8 189 583 €

<https://www.sam-outillage.com/>

Photos and texts not contractually binding. Do not litter. Document generated on 2024-05-03 22:11:33





Designation	BEARING SEPARATOR 50-140 MM
Sales reference	EX-112-A
L (mm)	270
Weight (kg)	4.500
Ø mm	20
l (mm)	35
i (mm)	215
J (mm)	27
K (mm)	130
M (mm)	18
C min mm	30
C max mm	155
Guarantee	O

Guarantee applied

O | SAM TOOL guarantee.

Guarantee without time limit on the tools used under normal conditions.

[>> Find out more](#)

SAM Outillage

10 rue Camille de Rochetaillée
42000 Saint-Etienne - France

RCS Saint-Etienne B 338 002 231 | SAS au capital de 8 189 583 €

<https://www.sam-outillage.com/>

Photos and texts not contractually binding. Do not litter. Document generated on 2024-05-03 22:11:33

