



Extraction counter-support

EX-111-T1N

EX-11...TN

SAM Outillage

10 rue Camille de Rochetaillée
42000 Saint-Etienne - France

RCS Saint-Etienne B 338 002 231 | SAS au capital de 8 189 583 €

<https://www.sam-outillage.com/>

Photos and texts not contractually binding. Do not litter. Document generated on 2024-04-30 14:28:10





DESCRIPTION

Extraction counter-support

Designed to be coupled with separators EX-11..ANSmooth nickel finish.Adjustable width making it possible to cope with a multitude of situations.

SPECIFIC DATA

SAM Outillage

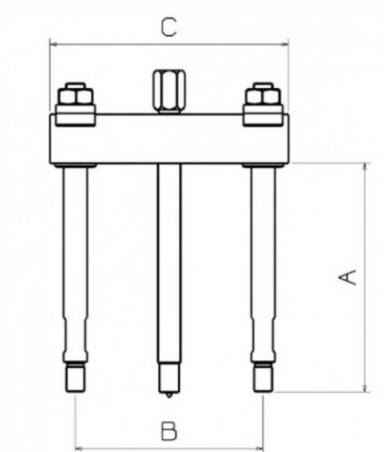
10 rue Camille de Rochetaillée
42000 Saint-Etienne - France

RCS Saint-Etienne B 338 002 231 | SAS au capital de 8 189 583 €

<https://www.sam-outillage.com/>

Photos and texts not contractually binding. Do not litter. Document generated on 2024-04-30 14:28:10





Designation	EXTRACTION COUNTER-SUPPORT
Sales reference	EX-111-T1N
Weight (kg)	3.26
C (mm)	260
A (mm)	175
Power T	15
B mm	245
B mm	70
Guarantee	O

Guarantee applied

O | SAM TOOL guarantee.

Guarantee without time limit on the tools used under normal conditions.

[>> Find out more](#)

SAM Outillage

10 rue Camille de Rochetaillée
42000 Saint-Etienne - France

RCS Saint-Etienne B 338 002 231 | SAS au capital de 8 189 583 €

<https://www.sam-outillage.com/>

Photos and texts not contractually binding. Do not litter. Document generated on 2024-04-30 14:28:10

