

## Puller-separator

**EX-110-A**

EX-11...-A

### SAM Outillage

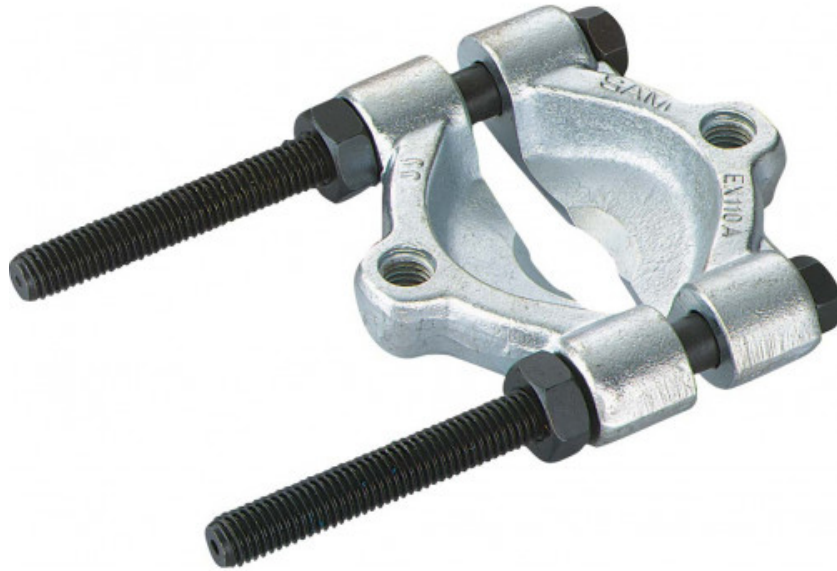
10 rue Camille de Rochetaillée  
42000 Saint-Etienne - France

RCS Saint-Etienne B 338 002 231 | SAS au capital de 8 189 583 €

<https://www.sam-outillage.com/>

Photos and texts not contractually binding. Do not litter. Document generated on 2024-05-03 19:49:58





## DESCRIPTION

### Puller-separator

the separator enable to disengage a bearing, a ring, leant against a unit, making impossible the grab with a jaw puller.

The pulling will be finished : either by taking back the unit with a puller after separating , or by using a puller support adapted

## SPECIFIC DATA

### SAM Outillage

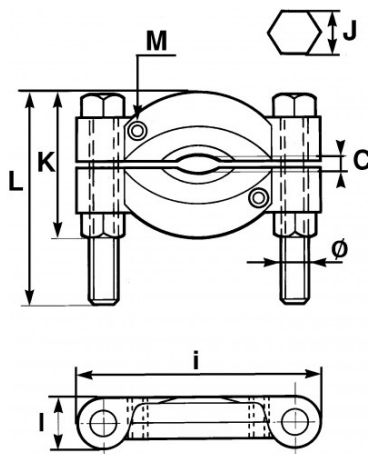
10 rue Camille de Rochetaillée  
42000 Saint-Etienne - France

RCS Saint-Etienne B 338 002 231 | SAS au capital de 8 189 583 €

<https://www.sam-outillage.com/>

Photos and texts not contractually binding. Do not litter. Document generated on 2024-05-03 19:49:58





Designation	BEARING SEPARATOR
Sales reference	EX-110-A
L (mm)	122
Weight (kg)	0.500
Ø mm	10
l (mm)	20
i (mm)	95
J (mm)	13
K (mm)	50
M (mm)	10
C min mm	5
C max mm	60
Guarantee	O

**Guarantee applied**

**O | SAM TOOL guarantee.**

Guarantee without time limit on the tools used under normal conditions.

>> [Find out more](#)

**SAM Outillage**

10 rue Camille de Rochetaillée  
42000 Saint-Etienne - France

RCS Saint-Etienne B 338 002 231 | SAS au capital de 8 189 583 €

<https://www.sam-outillage.com/>

