



Extraction counter-support

EX-11...TN

SAM Outillage

10 rue Camille de Rochetaillée
42000 Saint-Etienne - France

RCS Saint-Etienne B 338 002 231 | SAS au capital de 8 189 583 €

<https://www.sam-outillage.com/>

Photos and texts not contractually binding. Do not litter. Document generated on 2024-04-30 19:43:57





DESCRIPTION

Extraction counter-support

Designed to be coupled with separators EX-11...AN Smooth nickel finish. Adjustable width making it possible to cope with a multitude of situations.

SPECIFIC DATA

SAM Outillage

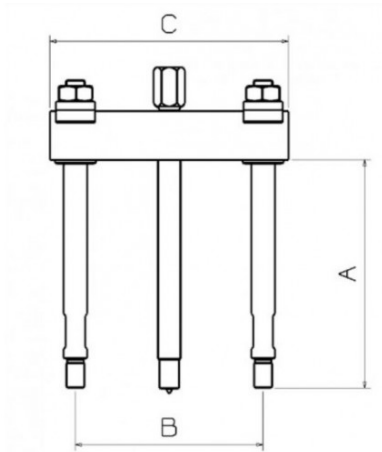
10 rue Camille de Rochetaillée
42000 Saint-Etienne - France

RCS Saint-Etienne B 338 002 231 | SAS au capital de 8 189 583 €

<https://www.sam-outillage.com/>

Photos and texts not contractually binding. Do not litter. Document generated on 2024-04-30 19:43:57





Sales reference	Weight (kg)	C (mm)	A (mm)	Power T	B mm	B mm	Guarantee
EX-110-TN	0.93	122	115	2	110	46	O
EX-112-T1N (not marketed)	11.57	475	245	20	445	173	O
EX-112-TN	9.3	346	245	20	325	105	O
EX-110-T1N (not marketed)	1.03	156	115	2	140	46	O
EX-111-T1N (not marketed)	3.26	260	175	15	245	70	O
EX-111-TN	2.82	210	175	10	195	62	O

Guarantee applied

O | SAM TOOL guarantee.

Guarantee without time limit on the tools used under normal conditions.

[>> Find out more](#)

SAM Outillage

10 rue Camille de Rochetaillée
42000 Saint-Etienne - France

RCS Saint-Etienne B 338 002 231 | SAS au capital de 8 189 583 €

<https://www.sam-outillage.com/>

