

Separator extractors

EX-11...AN

SAM Outillage

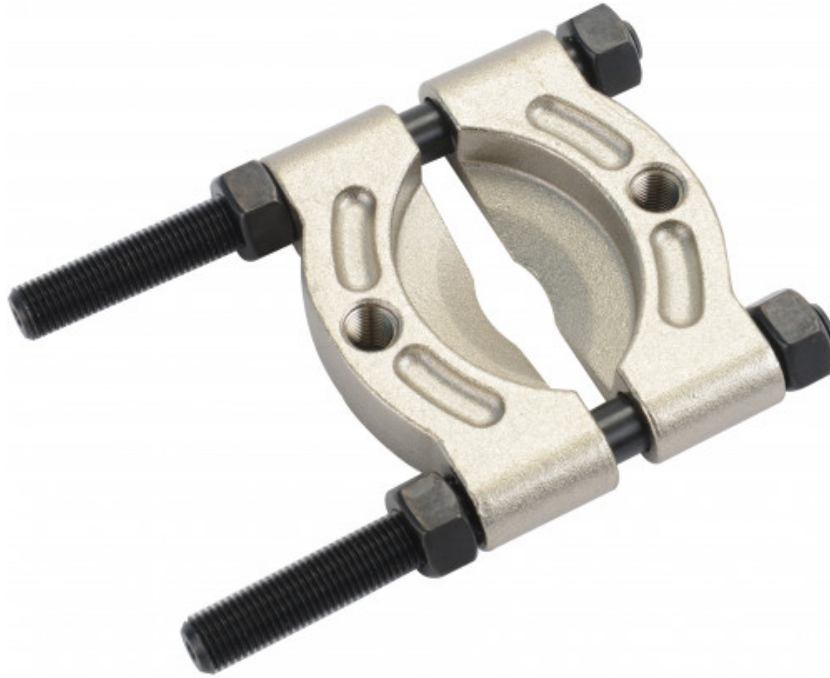
10 rue Camille de Rochetaillée
42000 Saint-Etienne - France

RCS Saint-Etienne B 338 002 231 | SAS au capital de 8 189 583 €

<https://www.sam-outillage.com/>

Photos and texts not contractually binding. Do not litter. Document generated on 2024-05-03 07:44:39





DESCRIPTION

Separator extractors

Separators particularly well suited for extracting ball bearings or bearing races backed on to a part making it impossible to grip it with a puller. The SAM separators are used with the extraction counter-support EX-11..TN.

SPECIFIC DATA

SAM Outillage

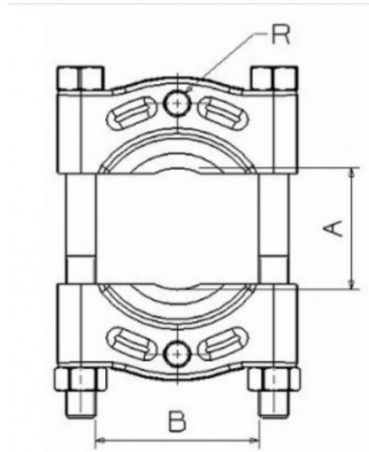
10 rue Camille de Rochetaillée
42000 Saint-Etienne - France

RCS Saint-Etienne B 338 002 231 | SAS au capital de 8 189 583 €

<https://www.sam-outillage.com/>

Photos and texts not contractually binding. Do not litter. Document generated on 2024-05-03 07:44:39





Sales reference	Weight (kg)	e (mm)	A maxi mm	B (mm)	A min (mm)	R (mm)	Guarantee
EX-110-AN	0.67	1	60	60	4	5/8"	O
EX-113-AN	12.46	2.5	210	180	14	5/8"	O
EX-112-AN	5.77	2	134	155	12	5/8"	O
EX-111-AN	2.5	2.5	110	110	10	5/8"	O

Guarantee applied

O | SAM TOOL guarantee.

Guarantee without time limit on the tools used under normal conditions.

[>> Find out more](#)

SAM Outillage

10 rue Camille de Rochetaillée
42000 Saint-Etienne - France

RCS Saint-Etienne B 338 002 231 | SAS au capital de 8 189 583 €

<https://www.sam-outillage.com/>

Photos and texts not contractually binding. Do not litter. Document generated on 2024-05-03 07:44:39

