

Puller-separator

EX-11...-A

SAM Outillage

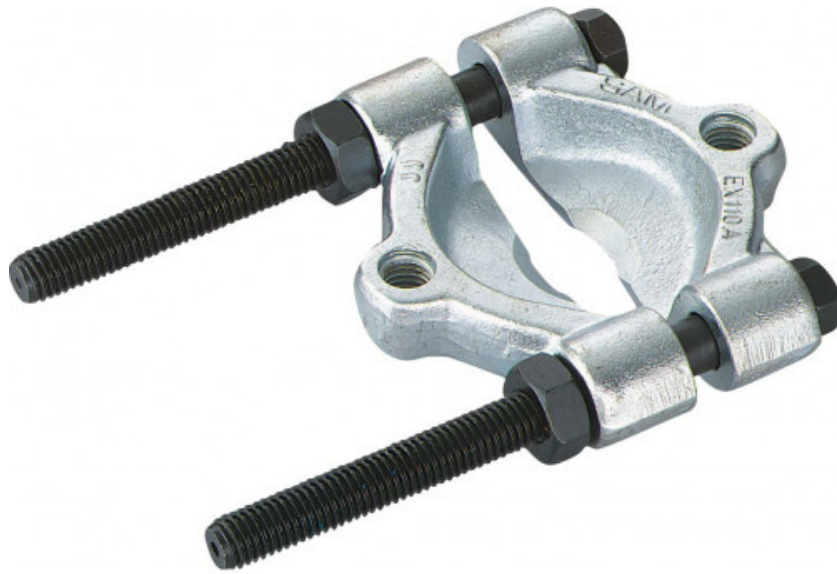
10 rue Camille de Rochetaillée
42000 Saint-Etienne - France

RCS Saint-Etienne B 338 002 231 | SAS au capital de 8 189 583 €

<https://www.sam-outillage.com/>

Photos and texts not contractually binding. Do not litter. Document generated on 2024-05-03 21:07:36





DESCRIPTION

Puller-separator

the separator enable to disengage a bearing, a ring, leant against a unit, making impossible the grab with a jaw puller.

The pulling will be finished : either by taking back the unit with a puller after separating , or by using a puller support adapted

SPECIFIC DATA

SAM Outillage

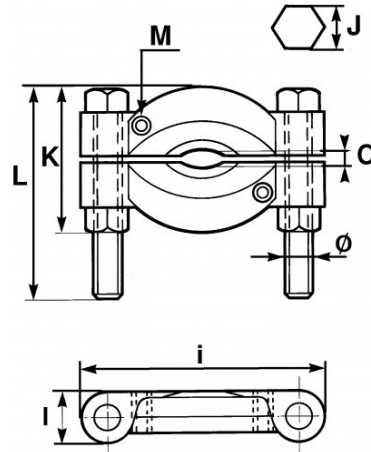
10 rue Camille de Rochetaillée
42000 Saint-Etienne - France

RCS Saint-Etienne B 338 002 231 | SAS au capital de 8 189 583 €

<https://www.sam-outillage.com/>

Photos and texts not contractually binding. Do not litter. Document generated on 2024-05-03 21:07:36





Sales reference	L (mm)	Weight (kg)	Ø mm	l (mm)	i (mm)	J (mm)	K (mm)	M (mm)	C min mm	C max mm	Guarantee
EX-110-A (not marketed)	122	0.500	10	20	95	13	50	10	5	60	O
EX-113-A (not marketed)	345	8.300	24	42	270	32	155	22	30	290	O
EX-112-A (not marketed)	270	4.500	20	35	215	27	130	18	30	155	O
EX-111-A (not marketed)	215	2.400	16	28	165	22	94	14	22	115	O

Guarantee applied

O | SAM TOOL guarantee.

Guarantee without time limit on the tools used under normal conditions.

SAM Outillage

10 rue Camille de Rochetaillée
42000 Saint-Etienne - France

RCS Saint-Etienne B 338 002 231 | SAS au capital de 8 189 583 €

<https://www.sam-outillage.com/>



[>> Find out more](#)

SAM Outillage

10 rue Camille de Rochetaillée
42000 Saint-Etienne - France

RCS Saint-Etienne B 338 002 231 | SAS au capital de 8 189 583 €

<https://www.sam-outillage.com/>

Photos and texts not contractually binding. Do not litter. Document generated on 2024-05-03 21:07:36

