

90° back squares, accuracy class 0

E4-75

E4-...

SAM Outillage

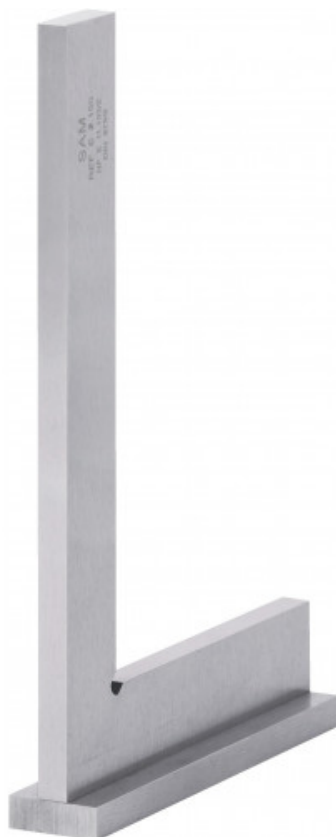
10 rue Camille de Rochetaillée
42000 Saint-Etienne - France

RCS Saint-Etienne B 338 002 231 | SAS au capital de 8 189 583 €

<https://www.sam-outillage.com/>

Photos and texts not contractually binding. Do not litter. Document generated on 2024-04-20 18:04:01





DESCRIPTION

90° back squares, accuracy class 0

Accuracy class 0: $\pm (5 + L/50)$ μm . Screwed cap.

STANDARDS / DIRECTIVES

NF E11-103, DIN 875

SPECIFIC DATA

SAM Outillage

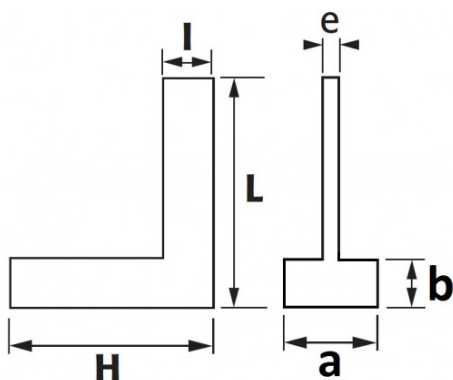
10 rue Camille de Rochetaillée
42000 Saint-Etienne - France

RCS Saint-Etienne B 338 002 231 | SAS au capital de 8 189 583 €

<https://www.sam-outillage.com/>

Photos and texts not contractually binding. Do not litter. Document generated on 2024-04-20 18:04:01





Designation	90° TRY SQUARE 75X50 MM ACCURACY CLASS 0
Sales reference	E4-75
L (mm)	75
Weight (g)	90
I (mm)	18
H (mm)	50
b (mm)	5
e (mm)	4.7
a (mm)	15.6
Guarantee	O

Guarantee applied

O | SAM TOOL guarantee.

Guarantee without time limit on the tools used under normal conditions.

[>> Find out more](#)

SAM Outillage

10 rue Camille de Rochetaillée
42000 Saint-Etienne - France

RCS Saint-Etienne B 338 002 231 | SAS au capital de 8 189 583 €

<https://www.sam-outillage.com/>

Photos and texts not contractually binding. Do not litter. Document generated on 2024-04-20 18:04:01

