

## 90° back squares, accuracy class 0

**E4-300**

E4-...

### SAM Outillage

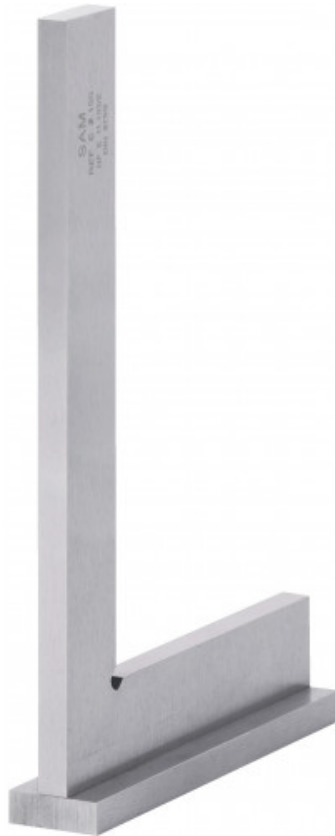
10 rue Camille de Rochetaillée  
42000 Saint-Etienne - France

RCS Saint-Etienne B 338 002 231 | SAS au capital de 8 189 583 €

<https://www.sam-outillage.com/>

Photos and texts not contractually binding. Do not litter. Document generated on 2024-04-20 18:34:17





## DESCRIPTION

### 90° back squares, accuracy class 0

Accuracy class 0:  $\pm (5 + L/50)$   $\mu\text{m}$ . Screwed cap.

## STANDARDS / DIRECTIVES

NF E11-103, DIN 875

## SPECIFIC DATA

### SAM Outillage

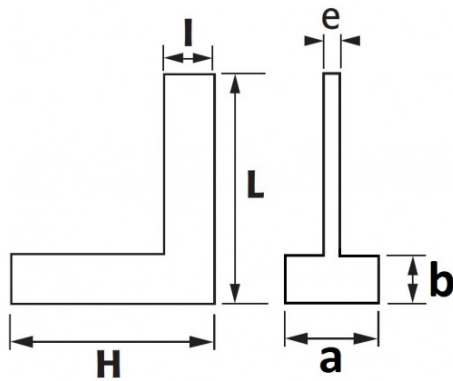
10 rue Camille de Rochetaillée  
42000 Saint-Etienne - France

RCS Saint-Etienne B 338 002 231 | SAS au capital de 8 189 583 €

<https://www.sam-outillage.com/>

Photos and texts not contractually binding. Do not litter. Document generated on 2024-04-20 18:34:17





Designation	90° TRY SQUARE 300X200 MM ACCURACY CLASS 0
Sales reference	E4-300
L (mm)	300
Weight (g)	1720
I (mm)	34
H (mm)	200
b (mm)	8
e (mm)	8.3
a (mm)	40
Guarantee	O

**Guarantee applied**

**O | SAM TOOL guarantee.**

Guarantee without time limit on the tools used under normal conditions.

[>> Find out more](#)

CONTROL, MEASURING AND MARKING-OUT

**SAM Outillage**

10 rue Camille de Rochetaillée  
42000 Saint-Etienne - France

RCS Saint-Etienne B 338 002 231 | SAS au capital de 8 189 583 €

<https://www.sam-outillage.com/>

Photos and texts not contractually binding. Do not litter. Document generated on 2024-04-20 18:34:17

