

90° back squares, accuracy class 0

E4-150

E4-...

SAM Outillage

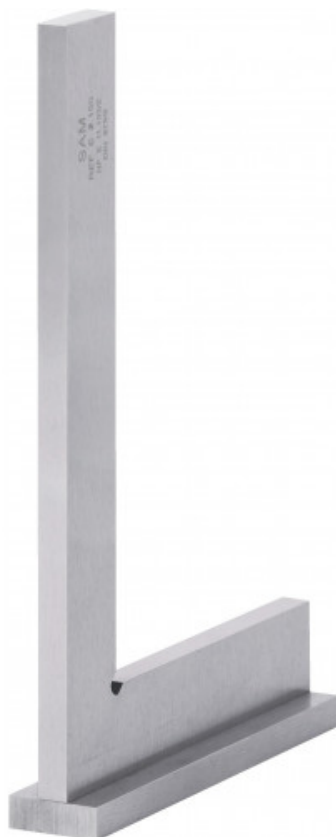
10 rue Camille de Rochetaillée
42000 Saint-Etienne - France

RCS Saint-Etienne B 338 002 231 | SAS au capital de 8 189 583 €

<https://www.sam-outillage.com/>

Photos and texts not contractually binding. Do not litter. Document generated on 2024-04-20 18:04:25





DESCRIPTION

90° back squares, accuracy class 0

Accuracy class 0: $\pm (5 + L/50)$ μm . Screwed cap.

STANDARDS / DIRECTIVES

NF E11-103, DIN 875

SPECIFIC DATA

SAM Outillage

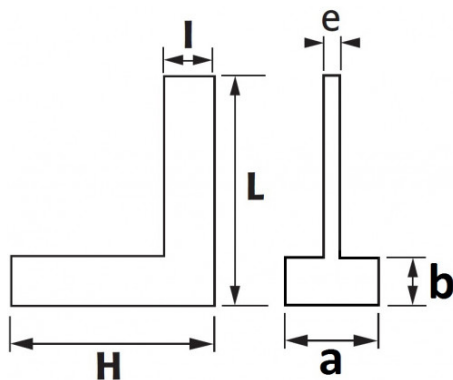
10 rue Camille de Rochetaillée
42000 Saint-Etienne - France

RCS Saint-Etienne B 338 002 231 | SAS au capital de 8 189 583 €

<https://www.sam-outillage.com/>

Photos and texts not contractually binding. Do not litter. Document generated on 2024-04-20 18:04:25





| | |
|-----------------|----------------------------------|
| Designation | T" SECTION SQUARE 90° 150X100 MM |
| Sales reference | E4-150 |
| L (mm) | 150 |
| Weight (g) | 360 |
| I (mm) | 26 |
| H (mm) | 100 |
| b (mm) | 5 |
| e (mm) | 5 |
| a (mm) | 25 |
| Guarantee | O |

Guarantee applied

O | SAM TOOL guarantee.

Guarantee without time limit on the tools used under normal conditions.

>> [Find out more](#)

SAM Outillage

10 rue Camille de Rochetaillée
42000 Saint-Etienne - France

RCS Saint-Etienne B 338 002 231 | SAS au capital de 8 189 583 €

<https://www.sam-outillage.com/>

Photos and texts not contractually binding. Do not litter. Document generated on 2024-04-20 18:04:25

