

90° back squares, accuracy class 0

E4-100

E4-...

SAM Outillage

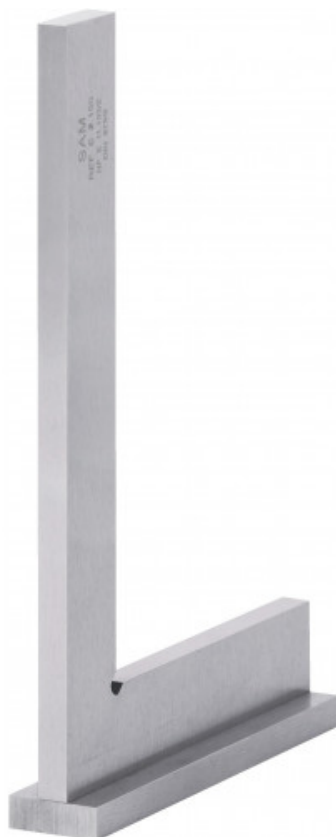
10 rue Camille de Rochetaillée
42000 Saint-Etienne - France

RCS Saint-Etienne B 338 002 231 | SAS au capital de 8 189 583 €

<https://www.sam-outillage.com/>

Photos and texts not contractually binding. Do not litter. Document generated on 2024-04-23 12:54:10





DESCRIPTION

90° back squares, accuracy class 0

Accuracy class 0: $\pm (5 + L/50)$ μm . Screwed cap.

STANDARDS / DIRECTIVES

NF E11-103, DIN 875

SPECIFIC DATA

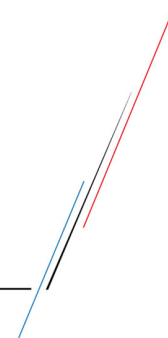
SAM Outillage

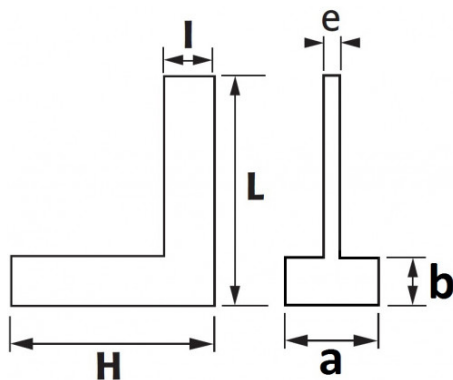
10 rue Camille de Rochetaillée
42000 Saint-Etienne - France

RCS Saint-Etienne B 338 002 231 | SAS au capital de 8 189 583 €

<https://www.sam-outillage.com/>

Photos and texts not contractually binding. Do not litter. Document generated on 2024-04-23 12:54:10





Designation	T" SECTION SQUARE 90° 100X70 MM
Sales reference	E4-100
L (mm)	100
Weight (g)	160
I (mm)	20
H (mm)	70
b (mm)	5
e (mm)	5
a (mm)	25
Guarantee	O

Guarantee applied

O | SAM TOOL guarantee.

Guarantee without time limit on the tools used under normal conditions.

[>> Find out more](#)

SAM Outillage

10 rue Camille de Rochetaillée
42000 Saint-Etienne - France

RCS Saint-Etienne B 338 002 231 | SAS au capital de 8 189 583 €

<https://www.sam-outillage.com/>

Photos and texts not contractually binding. Do not litter. Document generated on 2024-04-23 12:54:10

