

## 90° back squares, accuracy class 2

**E2-250**

E2-...

### SAM Outillage

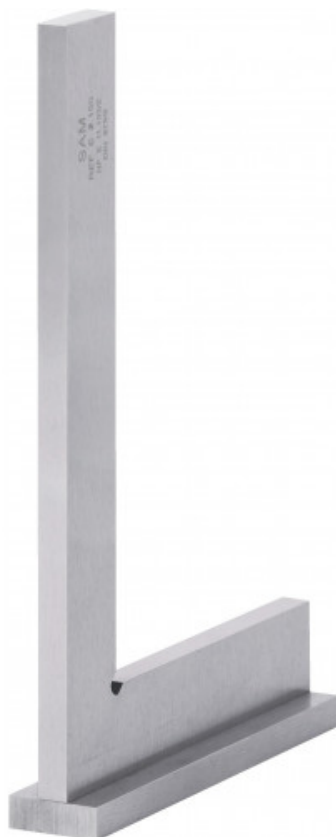
10 rue Camille de Rochetaillée  
42000 Saint-Etienne - France

RCS Saint-Etienne B 338 002 231 | SAS au capital de 8 189 583 €

<https://www.sam-outillage.com/>

Photos and texts not contractually binding. Do not litter. Document generated on 2024-04-29 07:49:37





## DESCRIPTION

### 90° back squares, accuracy class 2

Precision type II.

In steel, milled and rectified on every faces to assure a +/- (20+L/10) um precision.

## STANDARDS / DIRECTIVES

NF E11-103, DIN 875

## SAM Outillage

10 rue Camille de Rochetaillée  
42000 Saint-Etienne - France

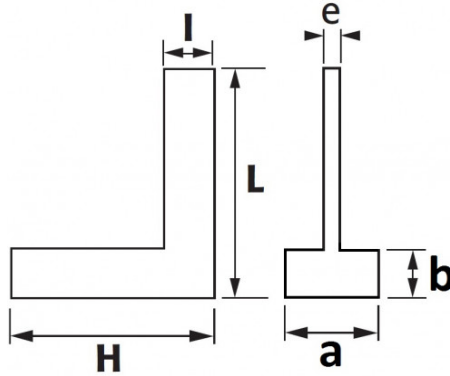
RCS Saint-Etienne B 338 002 231 | SAS au capital de 8 189 583 €

<https://www.sam-outillage.com/>

Photos and texts not contractually binding. Do not litter. Document generated on 2024-04-29 07:49:37



SPECIFIC DATA



Designation	90° TRY SQUARE 255X160 MM ACCURACY CLASS 2
Sales reference	E2-250
L (mm)	255
Weight (g)	780
l (mm)	29
H (mm)	160
b (mm)	7.5
e (mm)	7
a (mm)	29
Guarantee	O

**Guarantee applied**

**O | SAM TOOL guarantee.**

Guarantee without time limit on the tools used under normal conditions.

[>> Find out more](#)

CONTROL, MEASURING AND MARKING-OUT

**SAM Outillage**

10 rue Camille de Rochetaillée  
42000 Saint-Etienne - France

RCS Saint-Etienne B 338 002 231 | SAS au capital de 8 189 583 €

<https://www.sam-outillage.com/>

Photos and texts not contractually binding. Do not litter. Document generated on 2024-04-29 07:49:37

