

90° back squares, accuracy class 2

E2-100

E2-...

SAM Outillage

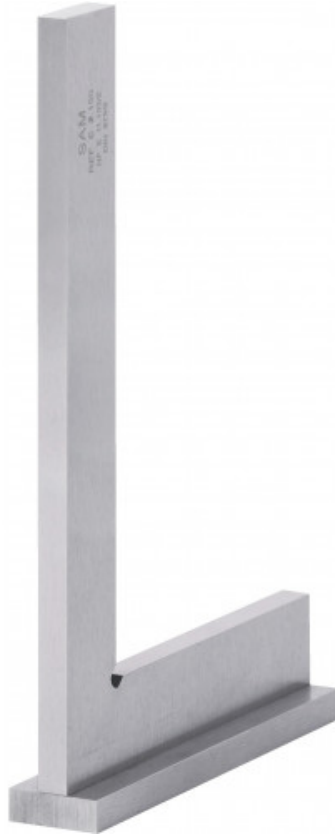
10 rue Camille de Rochetaillée
42000 Saint-Etienne - France

RCS Saint-Etienne B 338 002 231 | SAS au capital de 8 189 583 €

<https://www.sam-outillage.com/>

Photos and texts not contractually binding. Do not litter. Document generated on 2024-04-29 06:13:30





DESCRIPTION

90° back squares, accuracy class 2

Precision type II.

In steel, milled and rectified on every faces to assure a +/- (20+L/10) um precision.

STANDARDS / DIRECTIVES

NF E11-103, DIN 875

SAM Outillage

10 rue Camille de Rochetaillée
42000 Saint-Etienne - France

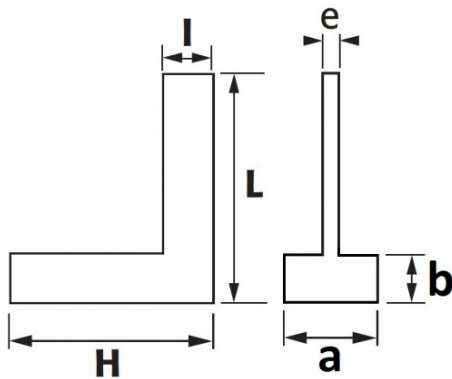
RCS Saint-Etienne B 338 002 231 | SAS au capital de 8 189 583 €

<https://www.sam-outillage.com/>

Photos and texts not contractually binding. Do not litter. Document generated on 2024-04-29 06:13:30



SPECIFIC DATA



Designation	90° TRY SQUARE 105X70 MM ACCURACY CLASS 2
Sales reference	E2-100
L (mm)	105
Weight (g)	215
l (mm)	20
H (mm)	70
b (mm)	6.5
e (mm)	5
a (mm)	20
Guarantee	O

Guarantee applied

O | SAM TOOL guarantee.

Guarantee without time limit on the tools used under normal conditions.

[>> Find out more](#)

CONTROL, MEASURING AND MARKING-OUT

SAM Outillage

10 rue Camille de Rochetaillée
42000 Saint-Etienne - France

RCS Saint-Etienne B 338 002 231 | SAS au capital de 8 189 583 €

<https://www.sam-outillage.com/>

Photos and texts not contractually binding. Do not litter. Document generated on 2024-04-29 06:13:30

