

90° back squares, accuracy class 2

E2-...

SAM Outillage

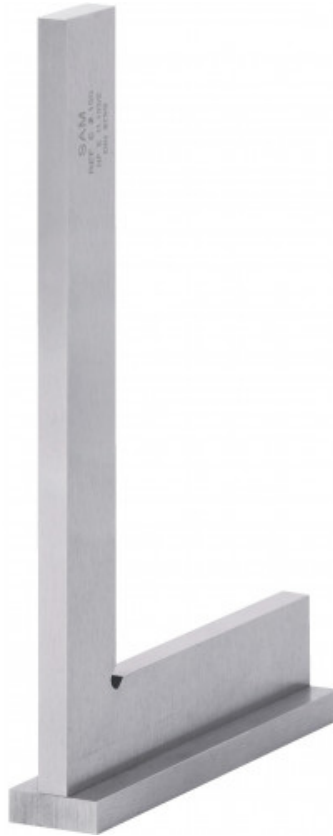
10 rue Camille de Rochetaillée
42000 Saint-Etienne - France

RCS Saint-Etienne B 338 002 231 | SAS au capital de 8 189 583 €

<https://www.sam-outillage.com/>

Photos and texts not contractually binding. Do not litter. Document generated on 2024-04-29 14:15:46





DESCRIPTION

90° back squares, accuracy class 2

Precision type II.

In steel, milled and rectified on every faces to assure a +/- (20+L/10) um precision.

STANDARDS / DIRECTIVES

NF E11-103, DIN 875

SPECIFIC DATA

SAM Outillage

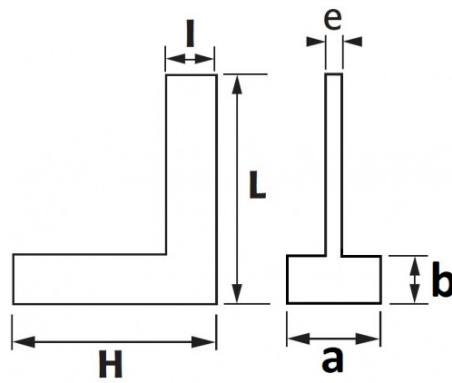
10 rue Camille de Rochetaillée
42000 Saint-Etienne - France

RCS Saint-Etienne B 338 002 231 | SAS au capital de 8 189 583 €

<https://www.sam-outillage.com/>

Photos and texts not contractually binding. Do not litter. Document generated on 2024-04-29 14:15:46





Sales reference	L (mm)	Weight (g)	l (mm)	H (mm)	b (mm)	e (mm)	a (mm)	Guarantee
E2-250	255	780	29	160	7.5	7	29	O
E2-100	105	215	20	70	6.5	5	20	O
E2-200	205	550	24	130	6.5	6	24	O
E2-300	307	1100	29	180	7.5	7	29	O
E2-150	155	350	20	100	6.5	6.5	20	O

Guarantee applied

O | SAM TOOL guarantee.

Guarantee without time limit on the tools used under normal conditions.

>> [Find out more](#)

SAM Outillage

10 rue Camille de Rochetaillée
42000 Saint-Etienne - France

RCS Saint-Etienne B 338 002 231 | SAS au capital de 8 189 583 €

<https://www.sam-outillage.com/>

Photos and texts not contractually binding. Do not litter. Document generated on 2024-04-29 14:15:46

