

90° back square, accuracy class 1

E10-300

E10-...

SAM Outillage

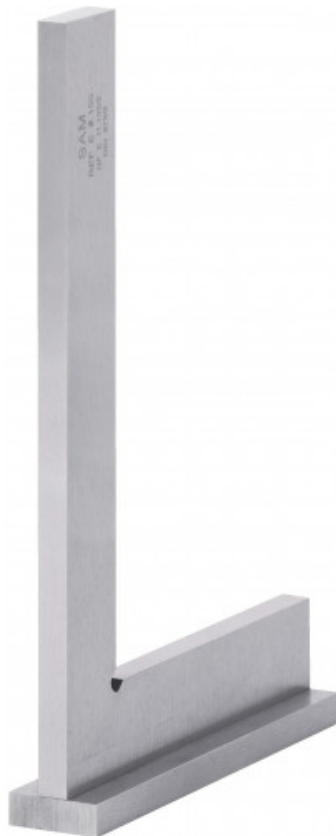
10 rue Camille de Rochetaillée
42000 Saint-Etienne - France

RCS Saint-Etienne B 338 002 231 | SAS au capital de 8 189 583 €

<https://www.sam-outillage.com/>

Photos and texts not contractually binding. Do not litter. Document generated on 2024-04-25 09:07:18





DESCRIPTION

90° back square, accuracy class 1

Hardened stainless steel.

Screwed hat.

STANDARDS / DIRECTIVES

NF E11-103, DIN 875

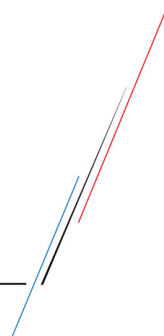
SAM Outillage

10 rue Camille de Rochetaillée
42000 Saint-Etienne - France

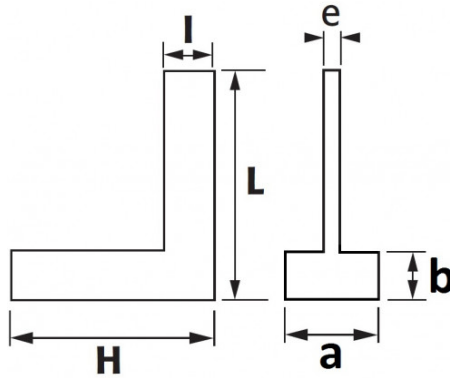
RCS Saint-Etienne B 338 002 231 | SAS au capital de 8 189 583 €

<https://www.sam-outillage.com/>

Photos and texts not contractually binding. Do not litter. Document generated on 2024-04-25 09:07:18



SPECIFIC DATA



| | |
|-----------------|--|
| Designation | 90° TRY SQUARE 300X200 MM ACCURACY CLASS 1 |
| Sales reference | E10-300 |
| L (mm) | 300 |
| Weight (g) | 870 |
| I (mm) | 38 |
| H (mm) | 200 |
| b (mm) | 9 |
| e (mm) | 9 |
| a (mm) | 40 |
| Guarantee | O |

Guarantee applied

O | SAM TOOL guarantee.

Guarantee without time limit on the tools used under normal conditions.

[>> Find out more](#)

SAM Outillage

10 rue Camille de Rochetaillée
42000 Saint-Etienne - France

RCS Saint-Etienne B 338 002 231 | SAS au capital de 8 189 583 €

<https://www.sam-outillage.com/>

Photos and texts not contractually binding. Do not litter. Document generated on 2024-04-25 09:07:18

