

## 90° back square, accuracy class 1

**E10-200**

E10-...

### SAM Outillage

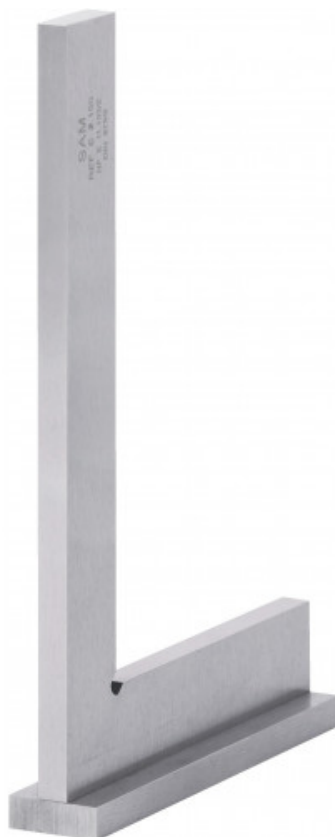
10 rue Camille de Rochetaillée  
42000 Saint-Etienne - France

RCS Saint-Etienne B 338 002 231 | SAS au capital de 8 189 583 €

<https://www.sam-outillage.com/>

Photos and texts not contractually binding. Do not litter. Document generated on 2024-04-25 06:54:44





## DESCRIPTION

### 90° back square, accuracy class 1

Hardened stainless steel.

Screwed hat.

## STANDARDS / DIRECTIVES

NF E11-103, DIN 875

CONTROL, MEASURING AND MARKING-OUT

## SAM Outillage

10 rue Camille de Rochetaillée  
42000 Saint-Etienne - France

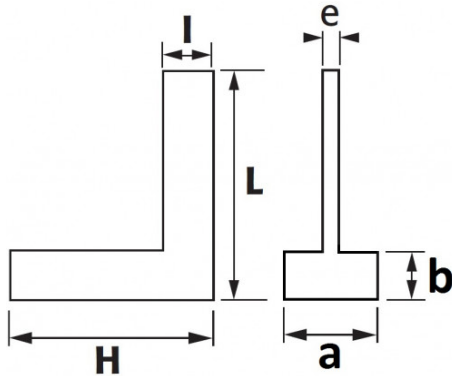
RCS Saint-Etienne B 338 002 231 | SAS au capital de 8 189 583 €

<https://www.sam-outillage.com/>

Photos and texts not contractually binding. Do not litter. Document generated on 2024-04-25 06:54:44



SPECIFIC DATA



Designation	90° TRY SQUARE 200X130 MM ACCURACY CLASS 1
Sales reference	E10-200
L (mm)	200
Weight (g)	470
l (mm)	30
H (mm)	130
b (mm)	6
e (mm)	6
a (mm)	30
Guarantee	O

**Guarantee applied**

**O | SAM TOOL guarantee.**

Guarantee without time limit on the tools used under normal conditions.

[>> Find out more](#)

CONTROL, MEASURING AND MARKING-OUT

**SAM Outillage**

10 rue Camille de Rochetaillée  
42000 Saint-Etienne - France

RCS Saint-Etienne B 338 002 231 | SAS au capital de 8 189 583 €

<https://www.sam-outillage.com/>

Photos and texts not contractually binding. Do not litter. Document generated on 2024-04-25 06:54:44

