

90° back square, accuracy class 1

E10-150

E10-...

SAM Outillage

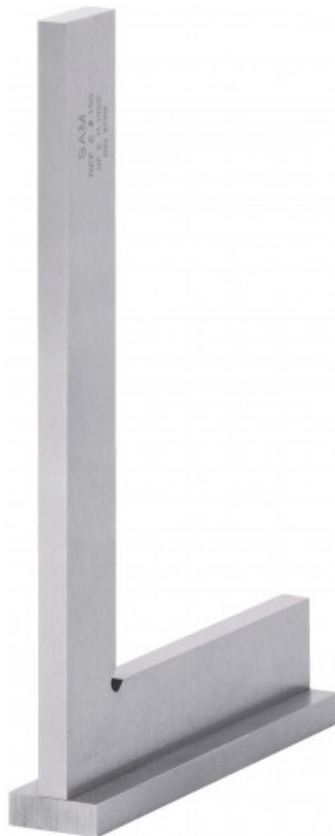
10 rue Camille de Rochetaillée
42000 Saint-Etienne - France

RCS Saint-Etienne B 338 002 231 | SAS au capital de 8 189 583 €

<https://www.sam-outillage.com/>

Photos and texts not contractually binding. Do not litter. Document generated on 2024-04-25 07:04:46





DESCRIPTION

90° back square, accuracy class 1

Hardened stainless steel.

Screwed hat.

STANDARDS / DIRECTIVES

NF E11-103, DIN 875

CONTROL, MEASURING AND MARKING-OUT

SAM Outillage

10 rue Camille de Rochetaillée
42000 Saint-Etienne - France

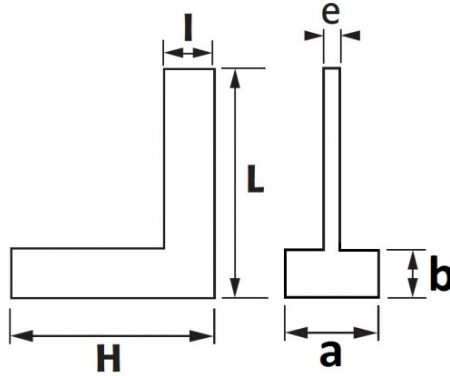
RCS Saint-Etienne B 338 002 231 | SAS au capital de 8 189 583 €

<https://www.sam-outillage.com/>

Photos and texts not contractually binding. Do not litter. Document generated on 2024-04-25 07:04:46



SPECIFIC DATA



Designation	90° TRY SQUARE 150X100 MM ACCURACY CLASS 1
Sales reference	E10-150
L (mm)	150
Weight (g)	250
I (mm)	23
H (mm)	100
b (mm)	5
e (mm)	5
a (mm)	25
Guarantee	O

Guarantee applied

O | SAM TOOL guarantee.

Guarantee without time limit on the tools used under normal conditions.

[>> Find out more](#)

CONTROL, MEASURING AND MARKING-OUT

SAM Outillage

10 rue Camille de Rochetaillée
42000 Saint-Etienne - France

RCS Saint-Etienne B 338 002 231 | SAS au capital de 8 189 583 €

<https://www.sam-outillage.com/>

Photos and texts not contractually binding. Do not litter. Document generated on 2024-04-25 07:04:46

