

90° back square, accuracy class 1

E10-...

SAM Outillage

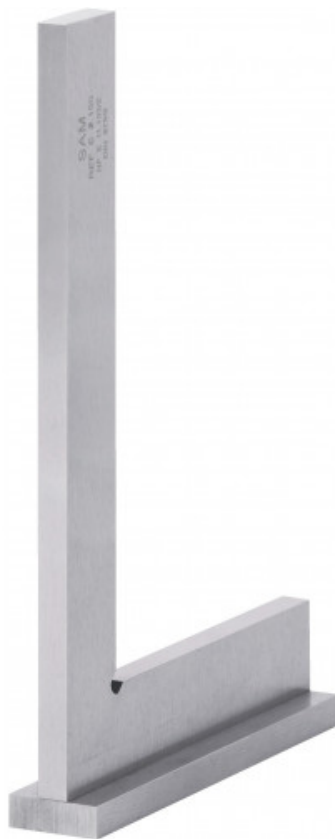
10 rue Camille de Rochetaillée
42000 Saint-Etienne - France

RCS Saint-Etienne B 338 002 231 | SAS au capital de 8 189 583 €

<https://www.sam-outillage.com/>

Photos and texts not contractually binding. Do not litter. Document generated on 2024-04-25 10:02:24





DESCRIPTION

90° back square, accuracy class 1

Hardened stainless steel.

Screwed hat.

STANDARDS / DIRECTIVES

NF E11-103, DIN 875

SPECIFIC DATA

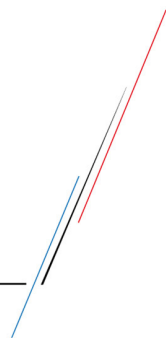
SAM Outillage

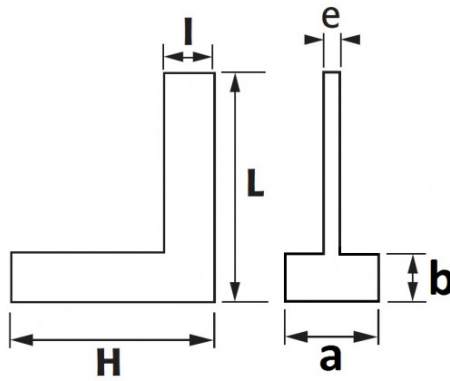
10 rue Camille de Rochetaillée
42000 Saint-Etienne - France

RCS Saint-Etienne B 338 002 231 | SAS au capital de 8 189 583 €

<https://www.sam-outillage.com/>

Photos and texts not contractually binding. Do not litter. Document generated on 2024-04-25 10:02:24





Sales reference	L (mm)	Weight (g)	l (mm)	H (mm)	b (mm)	e (mm)	a (mm)	Guarantee
E10-250	250	700	35	165	7	6.5	35	O
E10-100	100	150	20	70	5	5	25	O
E10-200	200	470	30	130	6	6	30	O
E10-300	300	870	38	200	9	9	40	O
E10-150	150	250	23	100	5	5	25	O

Guarantee applied

O | SAM TOOL guarantee.

Guarantee without time limit on the tools used under normal conditions.

[>> Find out more](#)

SAM Outillage

10 rue Camille de Rochetaillée
42000 Saint-Etienne - France

RCS Saint-Etienne B 338 002 231 | SAS au capital de 8 189 583 €

<https://www.sam-outillage.com/>

Photos and texts not contractually binding. Do not litter. Document generated on 2024-04-25 10:02:24

