



Plumber's wrenches in mm

DP-...

SAM Outillage

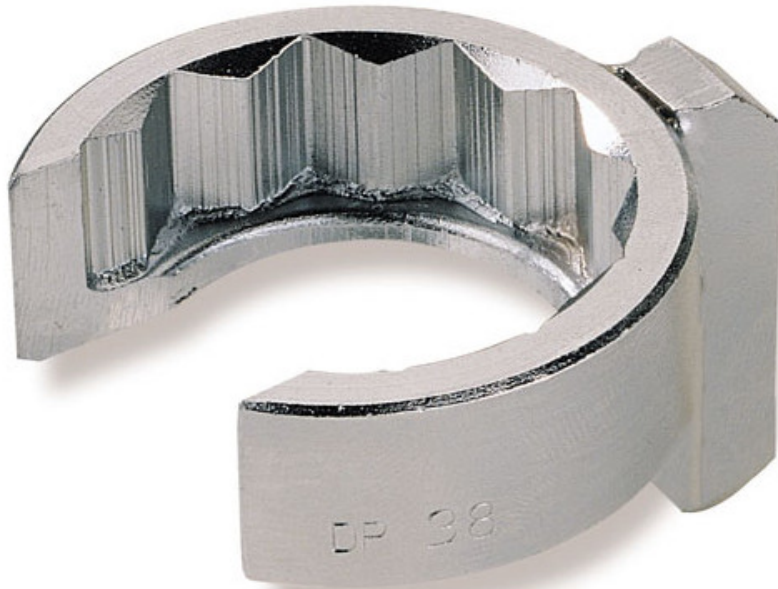
10 rue Camille de Rochetaillée
42000 Saint-Etienne - France

RCS Saint-Etienne B 338 002 231 | SAS au capital de 8 189 583 €

<https://www.sam-outillage.com/>

Photos and texts not contractually binding. Do not litter. Document generated on 2024-05-01 22:22:37





DESCRIPTION

Plumber's wrenches in mm

Socket 12 splines with male square of 3/8.

Tailcoat revetment of the screw.

Use with joint or extensions.

Slotted head to allow to way of the tip.

Conceived for a minimal obstruction.

Presentation: antioxidant chromed.

STANDARDS / DIRECTIVES

NF ISO 1174-1

SAM Outillage

10 rue Camille de Rochetaillée
42000 Saint-Etienne - France

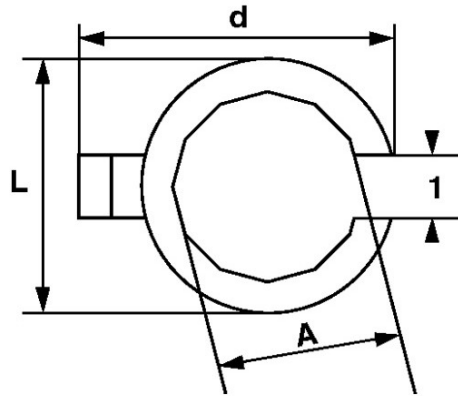
RCS Saint-Etienne B 338 002 231 | SAS au capital de 8 189 583 €

<https://www.sam-outillage.com/>

Photos and texts not contractually binding. Do not litter. Document generated on 2024-05-01 22:22:37



SPECIFIC DATA



Sales reference	L (mm)	Weight (g)	l (mm)	d (mm)	A (mm)	Guarantee
DP-19	26	40	15	33	19	O
DP-23 (not marketed)	31	52	19	37	23	O
DP-24	33	56	21	38	24	O
DP-25	34	56	22	40	25	O
DP-22	30	45	18	36	22	O
DP-27	37	62	23	41	27	O
DP-29 (not marketed)	39	65	25	43	29	O
DP-30 (not marketed)	40	80	27	44	30	O
DP-32	43	77	29	45	32	O
DP-34	46	101	31	50	34	O
DP-18	24	42	14	32	18	O
DP-36 (not marketed)	50	101	32	54	36	O
DP-38	53	118	33	56	38	O

SAM Outillage

10 rue Camille de Rochetaillée
42000 Saint-Etienne - France

RCS Saint-Etienne B 338 002 231 | SAS au capital de 8 189 583 €

<https://www.sam-outillage.com/>



DP-21	29	45	17	35	21	O
-------	----	----	----	----	----	---

Guarantee applied

O | SAM TOOL guarantee.

Guarantee without time limit on the tools used under normal conditions.

[>> Find out more](#)

SAM Outillage

10 rue Camille de Rochetaillée
42000 Saint-Etienne - France

RCS Saint-Etienne B 338 002 231 | SAS au capital de 8 189 583 €

<https://www.sam-outillage.com/>

Photos and texts not contractually binding. Do not litter. Document generated on 2024-05-01 22:22:37

