



Gatos hidroneumáticos

CRH315L

CRH...

SAM Outillage

10 rue Camille de Rochetaillée
42000 Saint-Etienne - France

RCS Saint-Etienne B 338 002 231 | SAS au capital de 8 189 583 €

<https://www.sam-outillage.com/>

Photos and texts not contractually binding. Do not litter. Document generated on 2024-04-18 03:27:43





DESCRIPTION



Gatos hidroneumáticos

Oleopneumatic jack for all types of heavy vehicles, powered by an oleopneumatic pump, the piston retracts automatically and the descent double valve ensures a constant and controlled speed with the load, and even increases it without a load. These valves guarantee perfect support of the load, even in the case of accidental bursting of any air or oil hose. It is made of special

SAM Outillage

10 rue Camille de Rochetaillée
42000 Saint-Etienne - France

RCS Saint-Etienne B 338 002 231 | SAS au capital de 8 189 583 €

<https://www.sam-outillage.com/>

Photos and texts not contractually binding. Do not litter. Document generated on 2024-04-18 03:27:43

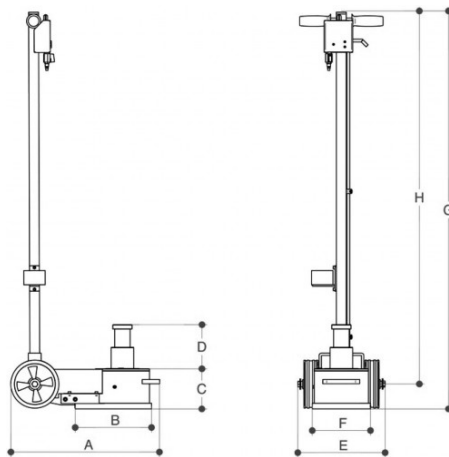


materials guaranteeing its operation, quality and breaking strength even in the most extreme situations. It complies with the MACHINERY DIRECTIVE 98/37/EC and is approved per EUROPEAN REGULATION EN 1494. Power supply pressure: 8 > 10 bar. Operating temperature: -20°C to +50°C. Air consumption: 400 L / min. Pneumatic installation pipe: Rilsan, dia. 6x4 mm. Compatible oil: ATF Dexron IID.3 hydropneumatic jack models are proposed to cover each type of use in HGV servicing and maintenance workshops. Model CRH215N: Model with short body and wide head used for lifting 20 to 40 T over a height of 300 mm. Model CRH215L: Model with long body and ultra-thin head used for lifting 20 to 40 T over a height of 300 mm. Model CRH315L: Model with long body and wide head used for lifting 18 to 60 T over a height of 335 mm

STANDARDS / DIRECTIVES

2006/42/CE

SPECIFIC DATA



Designation	60-TONNE HGV LONG HYDROPNEUMATIC JACK
Sales reference	CRH315L
E (mm)	300
Weight (kg)	58.5
C (mm)	335
D (mm)	200

SAM Outillage

10 rue Camille de Rochetaillée
42000 Saint-Etienne - France

RCS Saint-Etienne B 338 002 231 | SAS au capital de 8 189 583 €

<https://www.sam-outillage.com/>



A (mm)	730
Capacity	18 - 30 - 60 T
B (mm)	185
Guarantee	M

Guarantee applied**M1 | SAM Equipment and Machine Guarantee:**

Guarantee for a limited period, covering technical tools, devices and machines used under normal conditions. The length is given by the number after the letter M: 1 to 5 years

[>> Find out more](#)

SAM Outillage

10 rue Camille de Rochetaillée
42000 Saint-Etienne - France

RCS Saint-Etienne B 338 002 231 | SAS au capital de 8 189 583 €

<https://www.sam-outillage.com/>

