



## Gatos hidroneumáticos

**CRH215N**

CRH...

### SAM Outillage

10 rue Camille de Rochetaillée  
42000 Saint-Etienne - France

RCS Saint-Etienne B 338 002 231 | SAS au capital de 8 189 583 €

<https://www.sam-outillage.com/>

Photos and texts not contractually binding. Do not litter. Document generated on 2024-04-18 04:04:11





## DESCRIPTION



## Gatos hidroneumáticos

Oleopneumatic jack for all types of heavy vehicles, powered by an oleopneumatic pump, the piston retracts automatically and the descent double valve ensures a constant and controlled speed with the load, and even increases it without a load. These valves guarantee perfect support of the load, even in the case of accidental bursting of any air or oil hose. It is made of special

### SAM Outillage

10 rue Camille de Rochetaillée  
42000 Saint-Etienne - France

RCS Saint-Etienne B 338 002 231 | SAS au capital de 8 189 583 €

<https://www.sam-outillage.com/>

Photos and texts not contractually binding. Do not litter. Document generated on 2024-04-18 04:04:11

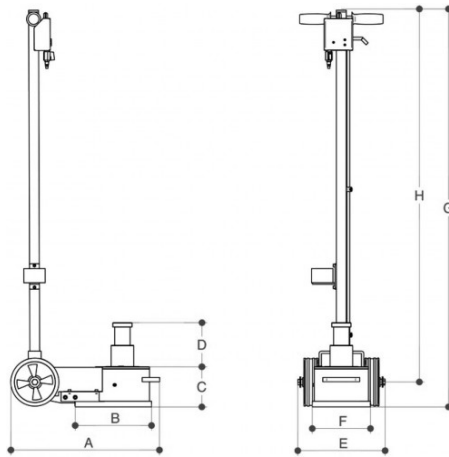


materials guaranteeing its operation, quality and breaking strength even in the most extreme situations. It complies with the MACHINERY DIRECTIVE 98/37/EC and is approved per EUROPEAN REGULATION EN 1494. Power supply pressure: 8 > 10 bar. Operating temperature: -20°C to +50°C. Air consumption: 400 L / min. Pneumatic installation pipe: Rilsan, dia. 6x4 mm. Compatible oil: ATF Dexron IID.3 hydropneumatic jack models are proposed to cover each type of use in HGV servicing and maintenance workshops. Model CRH215N: Model with short body and wide head used for lifting 20 to 40 T over a height of 300 mm. Model CRH215L: Model with long body and ultra-thin head used for lifting 20 to 40 T over a height of 300 mm. Model CRH315L: Model with long body and wide head used for lifting 18 to 60 T over a height of 335 mm

**STANDARDS / DIRECTIVES**

2006/42/CE

**SPECIFIC DATA**



Designation	20 TO 40-TONNE HGV HYDROPNEUMA
Sales reference	CRH215N
E (mm)	300
Weight (kg)	50.5
C (mm)	300
D (mm)	206

**SAM Outillage**

10 rue Camille de Rochetaillée  
42000 Saint-Etienne - France

RCS Saint-Etienne B 338 002 231 | SAS au capital de 8 189 583 €

<https://www.sam-outillage.com/>



A (mm)	525
Capacity	20 - 40 T
B (mm)	150
Guarantee	M

**Guarantee applied****M1 | SAM Equipment and Machine Guarantee:**

Guarantee for a limited period, covering technical tools, devices and machines used under normal conditions. The length is given by the number after the letter M: 1 to 5 years

[>> Find out more](#)

**SAM Outillage**

10 rue Camille de Rochetaillée  
42000 Saint-Etienne - France

RCS Saint-Etienne B 338 002 231 | SAS au capital de 8 189 583 €

<https://www.sam-outillage.com/>

