



## Gatos hidroneumáticos

### CRH...

#### SAM Outillage

10 rue Camille de Rochetaillée  
42000 Saint-Etienne - France

RCS Saint-Etienne B 338 002 231 | SAS au capital de 8 189 583 €

<https://www.sam-outillage.com/>

Photos and texts not contractually binding. Do not litter. Document generated on 2024-04-18 08:03:51





## DESCRIPTION



## Gatos hidroneumáticos

Oleopneumatic jack for all types of heavy vehicles, powered by an oleopneumatic pump, the piston retracts automatically and the descent double valve ensures a constant and controlled speed with the load, and even increases it without a load. These valves guarantee perfect support of the load, even in the case of accidental bursting of any air or oil hose. It is made of special materials guaranteeing its operation, quality and breaking strength even in the most extreme situations. It complies with the

### SAM Outillage

10 rue Camille de Rochetaillée  
42000 Saint-Etienne - France

RCS Saint-Etienne B 338 002 231 | SAS au capital de 8 189 583 €

<https://www.sam-outillage.com/>

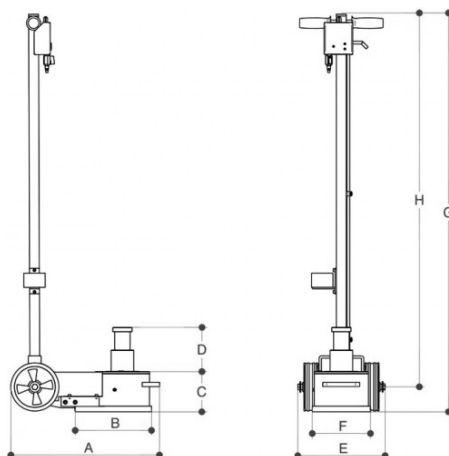


MACHINERY DIRECTIVE 98/37/EC and is approved per EUROPEAN REGULATION EN 1494. Power supply pressure: 8 > 10 bar. Operating temperature: -20°C to +50°C. Air consumption: 400 L / min. Pneumatic installation pipe: Rilsan, dia. 6x4 mm. Compatible oil: ATF Dexron IID.3 hydropneumatic jack models are proposed to cover each type of use in HGV servicing and maintenance workshops. Model CRH215N: Model with short body and wide head used for lifting 20 to 40 T over a height of 300 mm. Model CRH215L: Model with long body and ultra-thin head used for lifting 20 to 40 T over a height of 300 mm. Model CRH315L: Model with long body and wide head used for lifting 18 to 60 T over a height of 335 mm

**STANDARDS / DIRECTIVES**

2006/42/CE

**SPECIFIC DATA**



Sales reference	E (mm)	Weight (kg)	C (mm)	D (mm)	A (mm)	Capacity	B (mm)	Guarantee
CRH215L	300	52.5	300	150	700	20 - 40 T	150	M
CRH215N	300	50.5	300	206	525	20 - 40 T	150	M
CRH315L	300	58.5	335	200	730	18 - 30 - 60 T	185	M

**Guarantee applied**

**M1 | SAM Equipment and Machine Guarantee:**

Guarantee for a limited period, covering technical tools, devices and machines used under normal conditions. The length is given by the number after the letter M: 1 to 5 years

**SAM Outillage**

10 rue Camille de Rochetaillée  
42000 Saint-Etienne - France

RCS Saint-Etienne B 338 002 231 | SAS au capital de 8 189 583 €

<https://www.sam-outillage.com/>



[>> Find out more](#)

WORKSHOP AND PERSON EQUIPMENT

**SAM Outillage**

10 rue Camille de Rochetaillée  
42000 Saint-Etienne - France

RCS Saint-Etienne B 338 002 231 | SAS au capital de 8 189 583 €

<https://www.sam-outillage.com/>

Photos and texts not contractually binding. Do not litter. Document generated on 2024-04-18 08:03:51

