



## Set of 5 locking-clips for FME tool holder

**CLIP-30-FME**

---

**SAM Outillage**

10 rue Camille de Rochetaillée  
42000 Saint-Etienne - France

RCS Saint-Etienne B 338 002 231 | SAS au capital de 8 189 583 €

<https://www.sam-outillage.com/>



**DESCRIPTION****Set of 5 locking-clips for FME tool holder**

5 stainless steel circular FME toolholder clips for scribing, punching, pin punching Ø 2.4 to 3.4 mm ...

**SPECIFIC DATA****SAM Outillage**

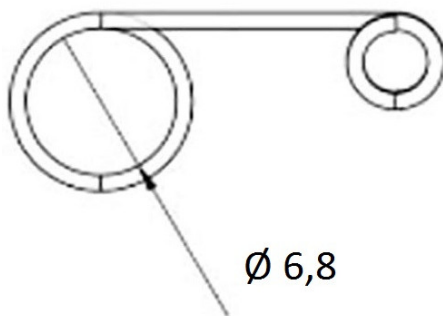
10 rue Camille de Rochetaillée  
42000 Saint-Etienne - France

RCS Saint-Etienne B 338 002 231 | SAS au capital de 8 189 583 €

<https://www.sam-outillage.com/>

Photos and texts not contractually binding. Do not litter. Document generated on 2024-05-02 11:12:16





Designation	5 FME STAINLESS STEEL CLIPS FOR SCRIBE PUNCH PIN DRIFT
Sales reference	CLIP-30-FME
Weight (kg)	0.031
Guarantee	C   Consumable

**Guarantee applied**

**C | Consumable**

The products in this category will not be replaced and are subject to normal wear phenomena.

[>> Find out more](#)

FME (FOREIGN MATERIAL EXCLUSION)

**SAM Outillage**

10 rue Camille de Rochetaillée  
42000 Saint-Etienne - France

RCS Saint-Etienne B 338 002 231 | SAS au capital de 8 189 583 €

<https://www.sam-outillage.com/>

