



Set of 5 locking-clips for FME tool holder

CLIP-29-FME

SAM Outillage

10 rue Camille de Rochetaillée
42000 Saint-Etienne - France

RCS Saint-Etienne B 338 002 231 | SAS au capital de 8 189 583 €

<https://www.sam-outillage.com/>

Photos and texts not contractually binding. Do not litter. Document generated on 2024-05-02 08:59:55





DESCRIPTION

Set of 5 locking-clips for FME tool holder

5 stainless steel circular FME toolholder clips for 3/4 " sockets from 17 to 46 mm.

SPECIFIC DATA

SAM Outillage

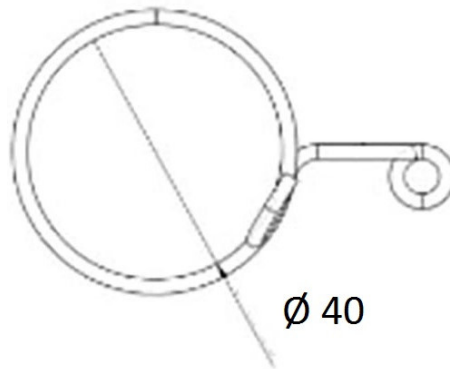
10 rue Camille de Rochetaillée
42000 Saint-Etienne - France

RCS Saint-Etienne B 338 002 231 | SAS au capital de 8 189 583 €

<https://www.sam-outillage.com/>

Photos and texts not contractually binding. Do not litter. Document generated on 2024-05-02 08:59:55





Designation	5 FME STAINLESS STEEL CLIPS FOR SOCKETS 3/4" 17 TO 46 MM
Sales reference	CLIP-29-FME
Weight (kg)	0.04
Guarantee	C Consumable

Guarantee applied

C | Consumable

The products in this category will not be replaced and are subject to normal wear phenomena.

[>> Find out more](#)

FME (FOREIGN MATERIAL EXCLUSION)

SAM Outillage

10 rue Camille de Rochetaillée
42000 Saint-Etienne - France

RCS Saint-Etienne B 338 002 231 | SAS au capital de 8 189 583 €

<https://www.sam-outillage.com/>

