



**Set of 5 locking-clips for FME tool holder**

**CLIP-24-FME**

**SAM Outillage**

10 rue Camille de Rochetaillée  
42000 Saint-Etienne - France

RCS Saint-Etienne B 338 002 231 | SAS au capital de 8 189 583 €

<https://www.sam-outillage.com/>

Photos and texts not contractually binding. Do not litter. Document generated on 2024-05-02 06:10:09



**DESCRIPTION****Set of 5 locking-clips for FME tool holder**

5 stainless steel clips specific FME tool holders for pin punch from 7.9 to 9.9mm.

**SPECIFIC DATA****SAM Outillage**

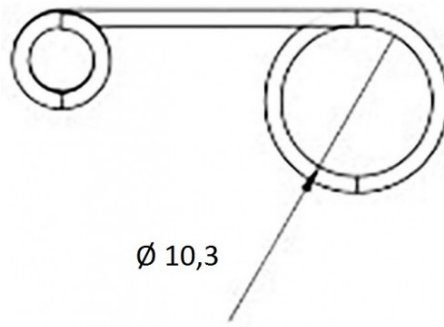
10 rue Camille de Rochetaillée  
42000 Saint-Etienne - France

RCS Saint-Etienne B 338 002 231 | SAS au capital de 8 189 583 €

<https://www.sam-outillage.com/>

Photos and texts not contractually binding. Do not litter. Document generated on 2024-05-02 06:10:09





Designation	5 FME STAINLESS STEEL CLIPS FOR 7.9 TO 9.9 PIN DRIFTS
Sales reference	CLIP-24-FME
Weight (kg)	0.031
Guarantee	C   Consumable

**Guarantee applied**

**C | Consumable**

The products in this category will not be replaced and are subject to normal wear phenomena.

[>> Find out more](#)

FME (FOREIGN MATERIAL EXCLUSION)

**SAM Outillage**

10 rue Camille de Rochetaillée  
42000 Saint-Etienne - France

RCS Saint-Etienne B 338 002 231 | SAS au capital de 8 189 583 €

<https://www.sam-outillage.com/>

