



**Set of 5 locking-clips for FME tool
holder**

CLIP-22-FME

SAM Outillage

10 rue Camille de Rochetaillée
42000 Saint-Etienne - France

RCS Saint-Etienne B 338 002 231 | SAS au capital de 8 189 583 €

<https://www.sam-outillage.com/>

Photos and texts not contractually binding. Do not litter. Document generated on 2024-05-02 10:56:21





FME (FOREIGN MATERIAL EXCLUSION)

DESCRIPTION

Set of 5 locking-clips for FME tool holder

5 FME toolholder circular stainless steel clips for measurements, scissors, rulers, squares.

SPECIFIC DATA

SAM Outillage

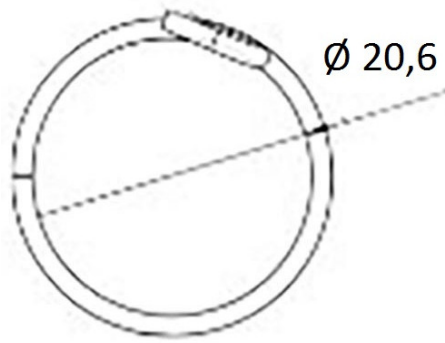
10 rue Camille de Rochetaillée
42000 Saint-Etienne - France

RCS Saint-Etienne B 338 002 231 | SAS au capital de 8 189 583 €

<https://www.sam-outillage.com/>

Photos and texts not contractually binding. Do not litter. Document generated on 2024-05-02 10:56:21





Designation	5 FME TOOL HOLDER STAINLESS STEEL CLIPS FOR SCISSOR MEASURE
Sales reference	CLIP-22-FME
Weight (kg)	0.023
Guarantee	C Consumable

Guarantee applied**C | Consumable**

The products in this category will not be replaced and are subject to normal wear phenomena.

[>> Find out more](#)

SAM Outillage

10 rue Camille de Rochetaillée
42000 Saint-Etienne - France

RCS Saint-Etienne B 338 002 231 | SAS au capital de 8 189 583 €

<https://www.sam-outillage.com/>

Photos and texts not contractually binding. Do not litter. Document generated on 2024-05-02 10:56:21

