

Rotating vices

399-4N

399-...N

SAM Outillage

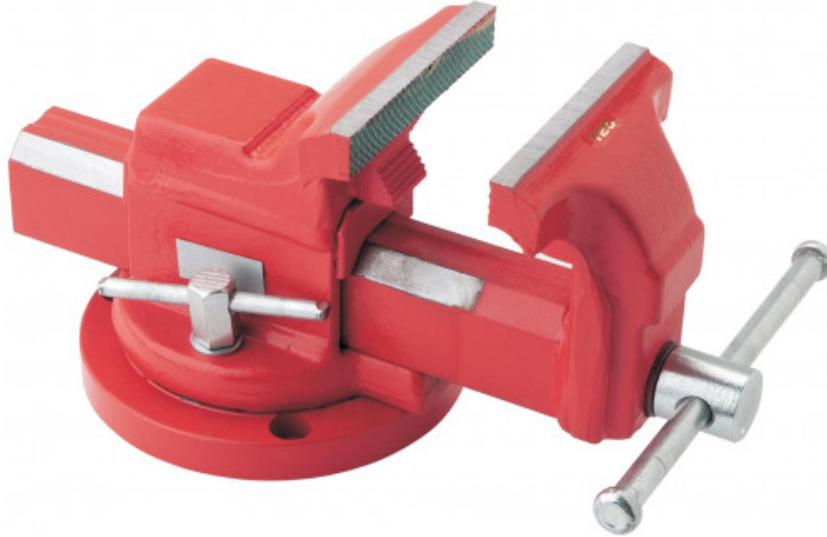
10 rue Camille de Rochetaillée
42000 Saint-Etienne - France

RCS Saint-Etienne B 338 002 231 | SAS au capital de 8 189 583 €

<https://www.sam-outillage.com/>

Photos and texts not contractually binding. Do not litter. Document generated on 2024-04-25 21:04:58





DESCRIPTION

Rotating vices

- multi-purpose vice
- replaceable jaws
- steel cage, slide head and steel jaw
- compensation for play system
- with a pipe grip system
- lacquered presentation

SPECIFIC DATA

SAM Outillage

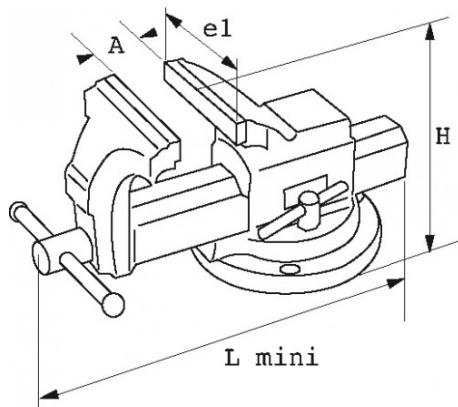
10 rue Camille de Rochetaillée
42000 Saint-Etienne - France

RCS Saint-Etienne B 338 002 231 | SAS au capital de 8 189 583 €

<https://www.sam-outillage.com/>

Photos and texts not contractually binding. Do not litter. Document generated on 2024-04-25 21:04:58





Designation	MULTI-INTERVENTION VICE OPENING 180 MM
Sales reference	399-4N
L (mm)	475
Weight (kg)	15
H (mm)	180
e1 (mm)	150
A maxi mm	180
Guarantee	O

Guarantee applied

O | SAM TOOL guarantee.

Guarantee without time limit on the tools used under normal conditions.

[>> Find out more](#)

SAM Outillage

10 rue Camille de Rochetaillée
 42000 Saint-Etienne - France

RCS Saint-Etienne B 338 002 231 | SAS au capital de 8 189 583 €

<https://www.sam-outillage.com/>

Photos and texts not contractually binding. Do not litter. Document generated on 2024-04-25 21:04:58

